

fantini
north
america



fantinorthamerica.net



Model

LH3 - L03

SPARE PARTS CATALOG



FANTINI NORTH AMERICA LLC

15526 90th Street NE - Drayton, ND 58225

P 1-800-454-3875

fantini-na.com

Serial Number:



This handbook and its annexes may not be tampered with or modified, copied or given to third parties without FANTINI NORTH AMERICA LLC's authorization. We are sure you will be pleased with your purchase, and are always at your service for any explanations or assistance you may require. The handbook must be kept in a safe place throughout the working life of the machine, of which it forms an integral part. If the machine is sold on, ensure that the handbook and all the annexes (diagrams, layouts, foundation drawings etc) are also consigned. The information in this handbook does not replace the safety regulations and technical data for installation and operation applied directly to the machine, the safety norms in force in the country of installation, or the rules dictated by common sense. Bear in mind that this document cannot compensate for the shortcomings of operatives or maintenance staff who do not have the necessary technical skills or abilities.



HOW TO USE THE FANTINI NORTH AMERICA SPARE PARTS CATALOG

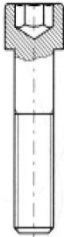



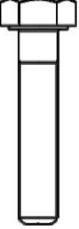





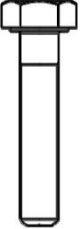


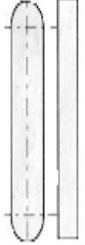


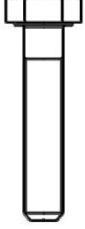
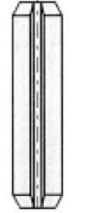
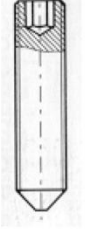

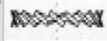


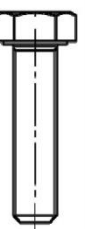




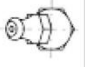
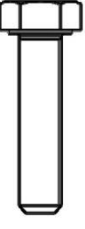



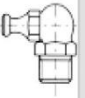
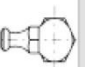



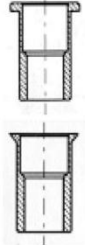
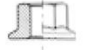
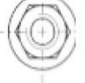
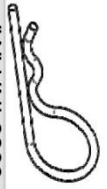
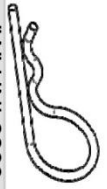





















-For the sake of simplicity the spare parts catalog contains only UNI identifications.

The section of quantity shows the amount of that spare part in the diagram

P.	Code	Qt.	Description
ID Number on diagram page	Spare part code	Quantity of spare parts	UNI identification

UNI - ISO

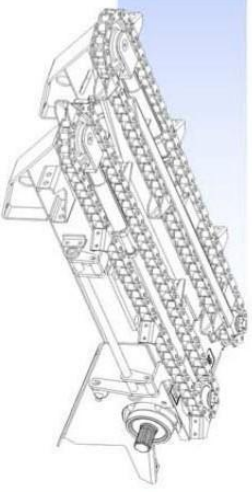
International Organization for Standardization

		 		
UNI 5931 8.8 ISO 4762	UNI 6592 ISO 7092	UNI 7474 B DIN 985	UNI 5737 8.8 ISO 4014	UNI 9200 ISO 7337
		 		
UNI 5933 10.9 DIN 7991	UNI 6593 ISO 7093	UNI 7473 A ISO 7040	UNI 5737 10.9 ISO 4014	UNI 5732 ISO 8677/4034
		 		
UNI 5923 45H ISO 4026	UNI 6604 ISO R773	UNI 1751 ISO 7040	UNI 5738 8.8 ISO 8765	UNI 6873 ISO 8752
	 	 		
UNI 5927 45H ISO 4027	RDE UNI8842A ISO 6798A	UNI 7663A ISO 71412A	UNI 5739 8.8 ISO 4017	UNI 5587 ISO 4033
		 		
UNI 5925 45H ISO 4028	Est. UNI 7435 DIN 471	UNI 7663B 45° ISO 71412B	UNI 5739 10.9 ISO 4017	UNI 5588 ISO 4032
		 		
UNI 8117 ISO 18480	Int. UNI 7437 DIN 472	UNI 7663C 90° ISO 71412C	UNI 5740 ISO 8676	UNI 5589 ISO 4035
		 	 	
CONTACT	UNI9201	DIN 6923	"A" UNI 8833	NILOS 2207 JV
				
6307	30207	6206 2RS	30208	NILOS 6207 JV
				
6207	6205 2RS	6205 2RS	32207	OR 4118
				
6208	6304 2RS	PNA 2042	6004-2RS	OR 3137
				
6209	2207 2RS	6307	61904 2RS	30209

INDEX

A ROW UNIT

- 01 - Row Unit
- 02 - Chain Guide
- 03 - Stalk Rollers
- 04 - Row Unit Gear Box
- 05 - Row Unit Drive Line



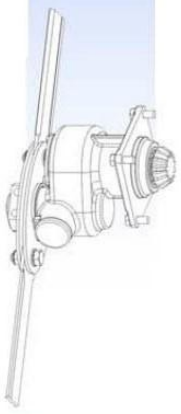
B PLASTIC COVERS

- 01 - Plastic Covers
- 02 - Plastic Covers
- 03 - Folding Arm



C STALK CHOPPER

- 01 - Disconnectable Chopper Box
- 02 - Protection Folding 12 Rows
- 03 - Protection Fixed 6 and 8 Rows
- 04 - Protection Fixed 12 Rows



D GEAR BOXES

- 01 - 6 and 8 Row Female Gearbox T-304
- 02 - 12 Row Female Gearbox T-312M
- 03 - Variable Gearbox M-767A



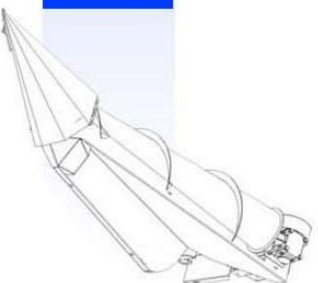
E TRANSMISSION

- 01 - Transmission 12 Rows Folding
- 02 - Transmission 12 Rows Fixed
- 03 - Transmission 6 and 8 Rows
- 04 - Drive Shafts V60/V80



F SIDE AUGERS

- 01 - Side Augers



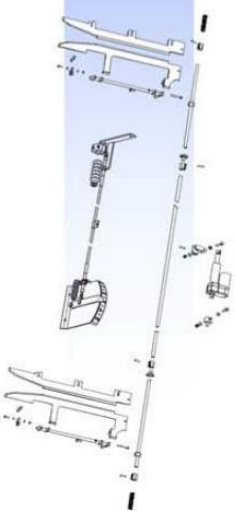
INDEX

H Auger



- 01 - Folding 12 Row Auger w/Clutch
- 02 - Fixed 6 and 8 Row Auger
- 03 - Fixed 12 Row Auger

I Electric Blades



- 01 - Electric Deck Plates
- 02 - Deck Plate Indicator
- 03 - Hydraulic Deck Plates 22in
- 04 - Hydraulic Deck Plates 30in

P Hydraulic System

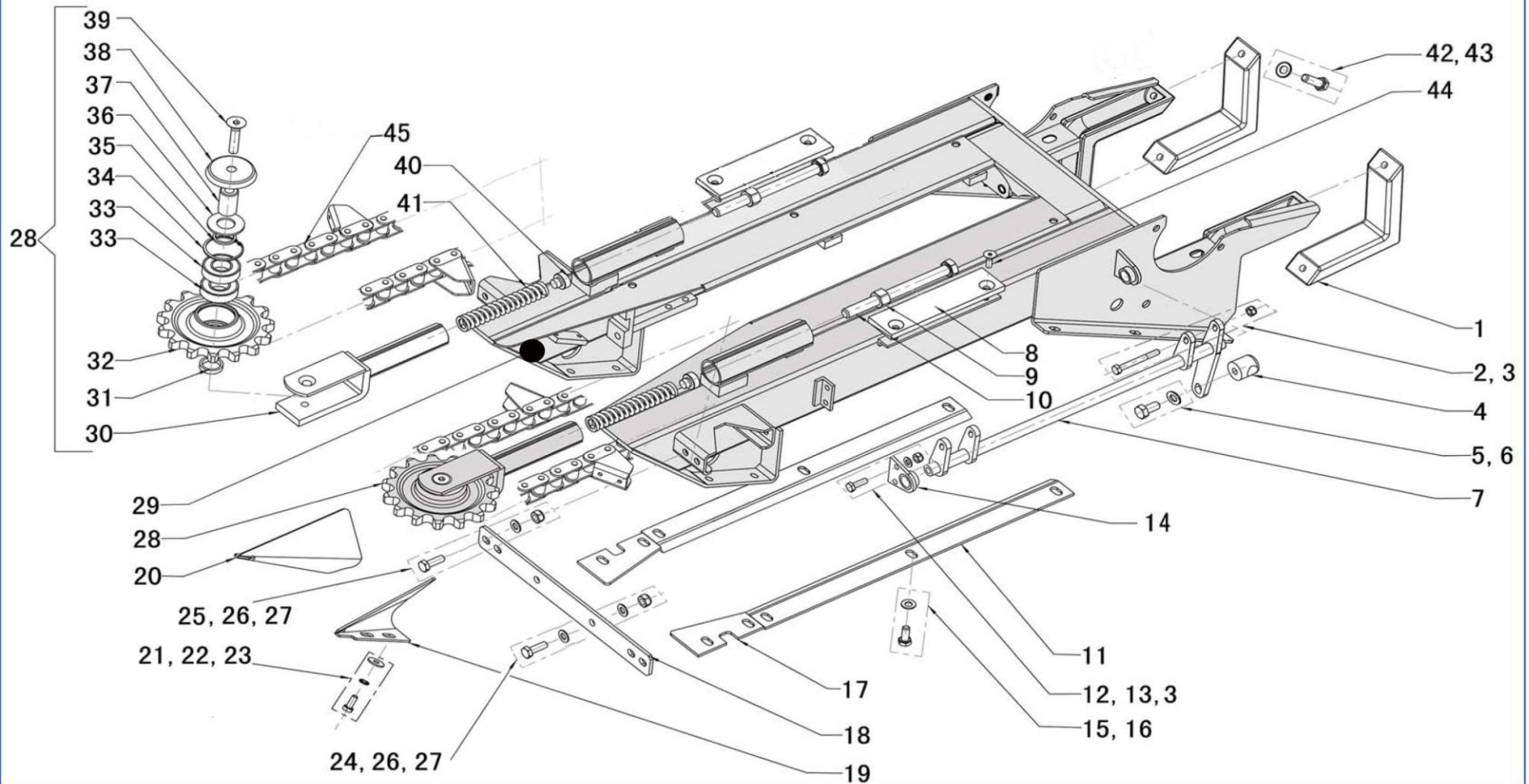


- 01 - Hydraulic System
- 02 - Electric/Hydraulic Kits

A 01

ROW UNIT

fantini north america



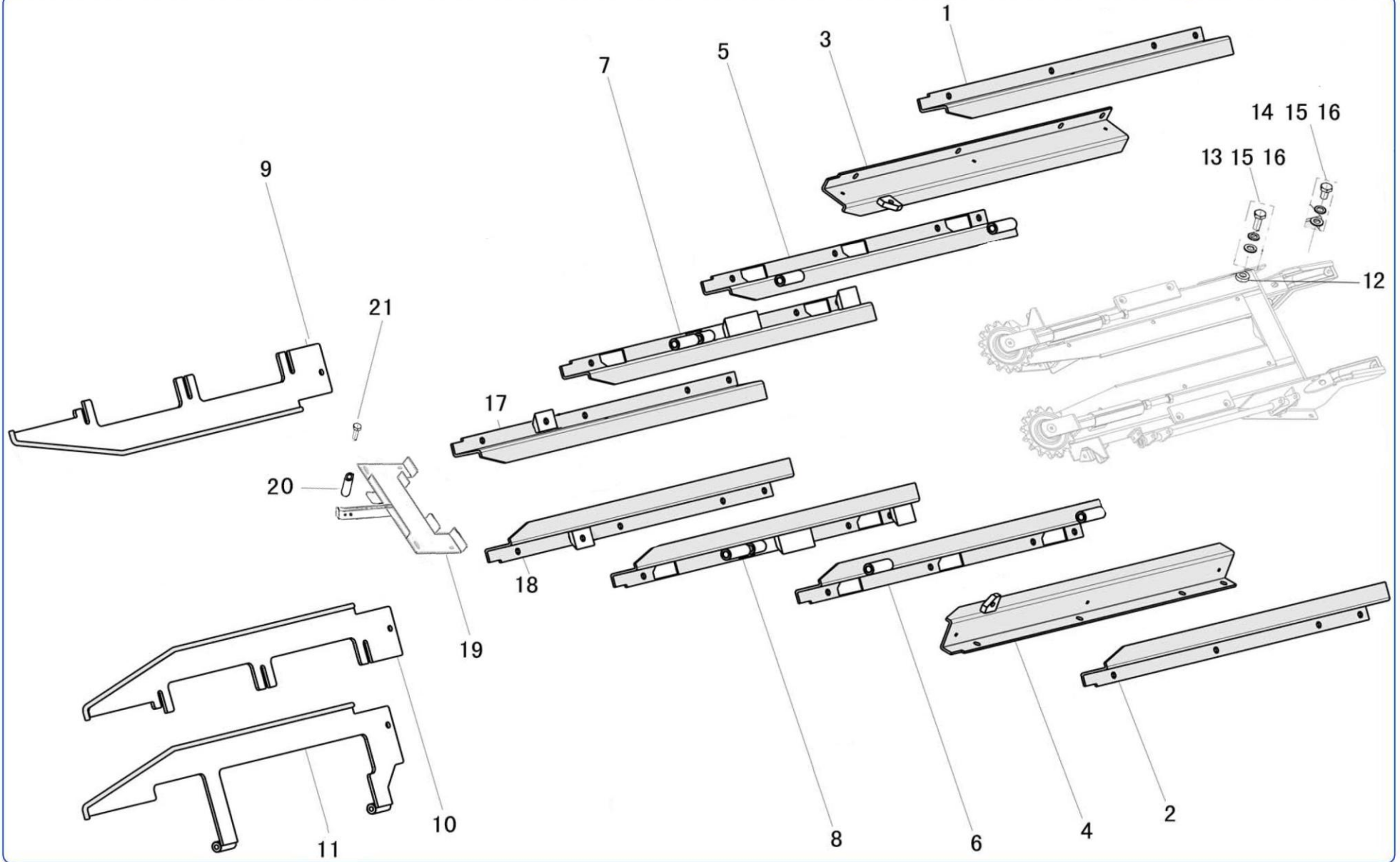
Row Unit (A-01)

<u>Pos.</u>	<u>Number</u>	<u>Description</u>	<u>Pos.</u>	<u>Number</u>	<u>Description</u>
1	17396	Row Unit Clamp	23	05127	Washer M08
2	12113	Bolt TE M08X070 UNI 5737 8.8	24	00384	Bolt M10X030 UNI 5739 8.8
3	04858	Nut M8 UNI 7473 A ZINC	25	00251	Bolt M10X25
4	20129	Bar Adjusting Sleeve	26	00945	Washer M10 UNI 6592
5	19157	Set Screw M12	27	04859	Nut M10 UNI 7473 A
6	00947	Washer M12	28	20770	Complete Pusher Assembly
7	20761	Deck Plate Adjusting Arm	29	20771	Row Unit Frame
8	19156	Chain Wear Plate	30	20773	Pusher Fork
9	00489	Nut M16 UNI 5587 A	31	03359	Spacer 32x26x7.1
10	05121	Adjustment Bolt TE M16X180 UNI 5739 8.8	32	19148	Ring Gear Z015
11	20763	Stationary Knife	33	01288	Bearing 06205-2RS
12	00377	Bolt M8X25	34	00585	Snap Ring Uni 7437 INS. Ø52
13	00946	Washer M08 UNI 6592	35	03361	Spacer 32x23x3
14	20762	Mounting Bracket	36	07280	Washer 51x25x3
15	00375	Bolt TE M10X025 UNI 5739 08.8	37	10672	Bushing
16	00906	Washer M10 ZINC	38	16408	Sprocket Cap
17	20764	Counter Knife	39	10636	Bolt M12X60 Countersink
18	20766	Row Unit Spacing Bar 22 in.	40	10671	Pusher Pin
18	20767	Row Unit Spacing Bar 30 in.	41	10515	Pusher Spring 25,5x5.5-142 P.9
19	20768	Left Roller Protection	42	00450	Bolt TE M12X040 UNI 5737 8.8
20	20769	Right Roller Protection	43	00905	Washer M12
21	00383	Bolt TE M08X020 UNI 5939 8.8	44	00506	Bolt TS M08X025 UNI 5933 8.8
22	00916	Lock Washer M08 UNI 8842 A	45	18965	Gathering Chain CA2801 76 P

A 02

CHAIN GUIDE - COB STRIPPING BLADE

fantini north america



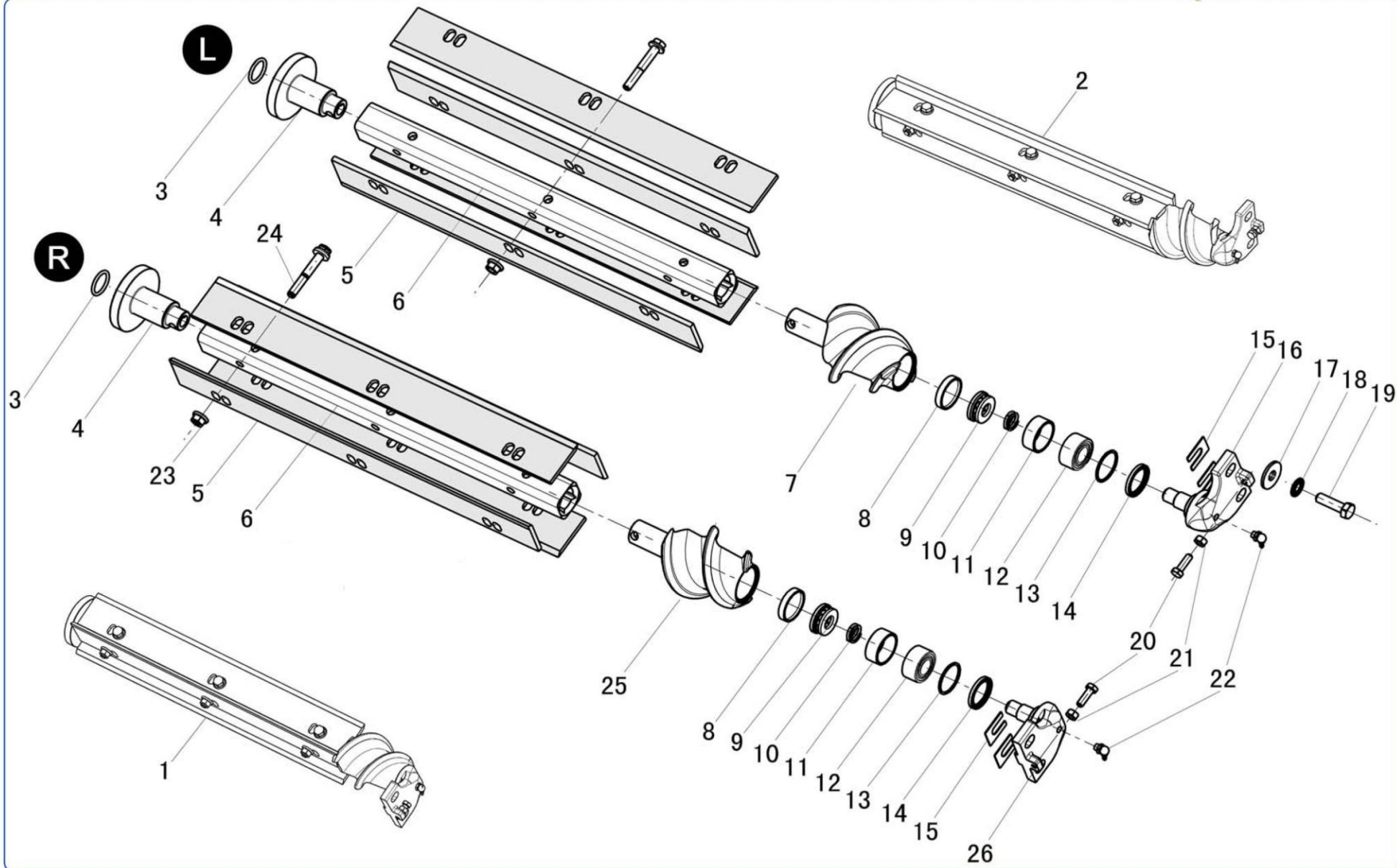
Chain Guide – Cob Stripping Blade (A-02)

<u>Pos.</u>	<u>Number</u>	<u>Description</u>
1	20789	Right Base Chain Guide
2	20791	Left Base Chain Guide
3	20783	Right Lateral Chain Guide
4	20787	Left Lateral Chain Guide
5	20781	Right Folding Chain Guide
6	20784	Left Folding Chain Guide
7	20782	Right Folding w/Pivot Mount Chain Guide
8	20786	Left Folding w/Pivot Mount Chain Guide
9	20780	Right Deck Plate
10	20778	Left Deck Plate
11	20776	Adjustable Deck Plate
12	03364	Spacer 20.0x10.0-6.5
13	00384	Bolt TE M10X030 UNI 5739
14	00378	Bolt TE M10X020 UNI 5739 8.8
15	00918	Lock Washer R.D.E. M10 UNI 8842
16	00945	Washer M10 UNI 6592 ZINC
17	24490	Right Chain Guide 22in.
18	24491	Left Chain Guide 22in.
19	24627	Latch Down Bracket 22in.
20	25101	Bolt Extension 22in.
21	23905	Sunken Hex Bolt 22in.

A 03

STALK ROLLER

fantini *north america*



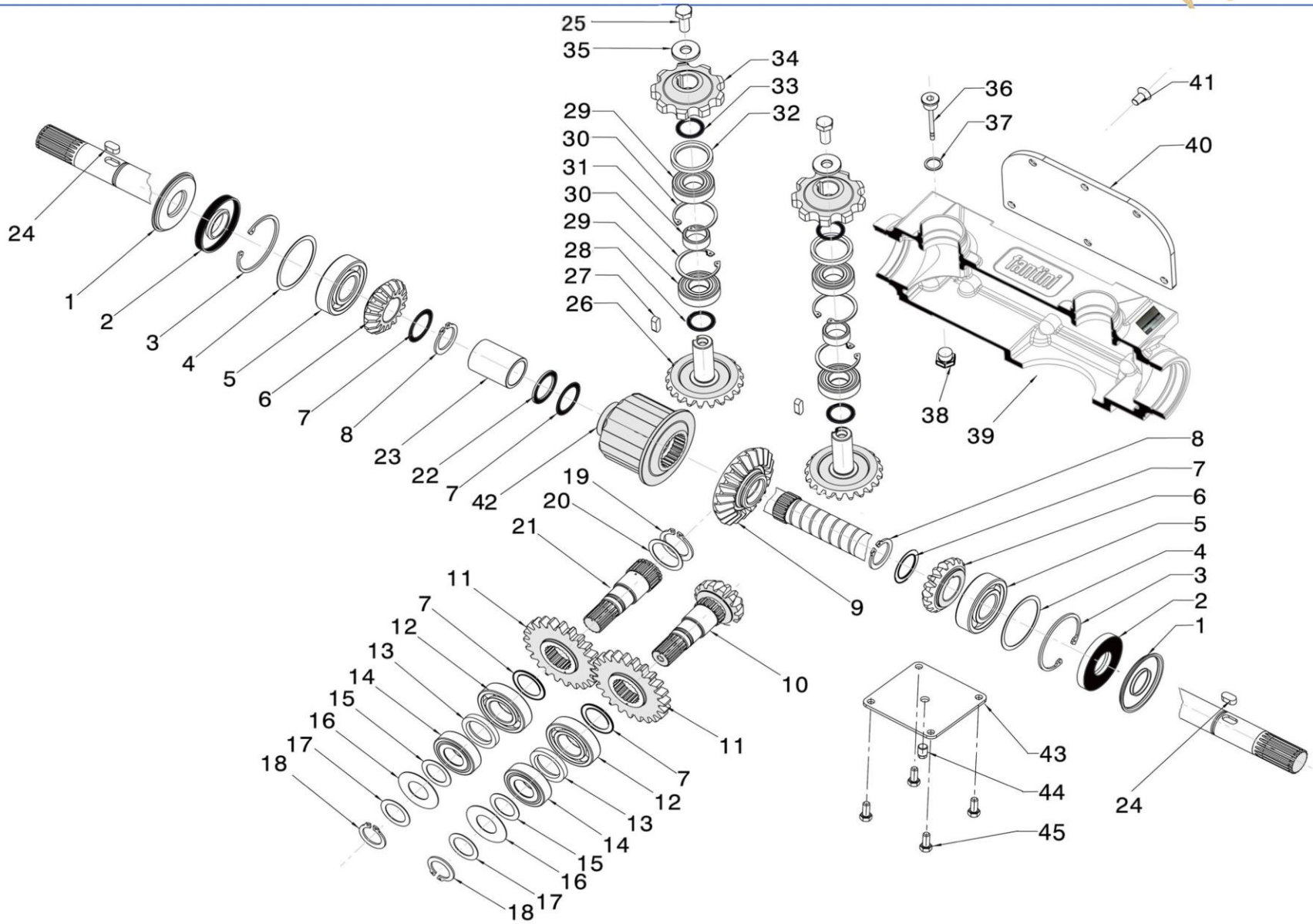
Stalk Rollers (A-03)

<u>Pos.</u>	<u>Number</u>	<u>Description</u>
1	19151	Complete Right Stalk Roll Assy.
2	19152	Complete Left Stalk Roll Assy.
3	01290	O-Ring 4118 29.75x3.53
4	12129	Roller Bushing
5	12133	Blade
6	19078	Stalk Roll Tube
7	20796	Left Spiral Tip
8	19082	Bottom Plate for Tip
9	19563	Axial Ball Bearing 53203+U203
10	19670	Spacer Spring for Tip
11	19687	Spacer for Tip 42X37X17
12	19562	Needle Bearing PNA 2042
13	19724	Spacer for Tip 41x37x2
14	19730	Seal Ring A+P 32x42x04 DH
15	19801	Shim for Support of Stalk Roll Assy.
16	20794	Left Support for Stalk Roll Assy.
17	22138	Washer M12
18	00905	Elliptical Washer M12
19	18494	Bolt TE M12x035 UNI 5740 10.9
20	00377	Bolt TE M08x025 UNI 5739 08.8
21	00468	Nut M 8 UNI 5588
22	00975	Grease Zerk 1/8 G 90° UNI7663C
23	07493	Flanged Nut M10 IVE 0320
24	07492	Flanged Bolt M10X65 IVE 0119 10.9
25	20797	Right Spiral Tip
26	20795	Right Support for Stalk Roll Assy.

A 04

ROW UNIT GEAR BOX

fantini north america



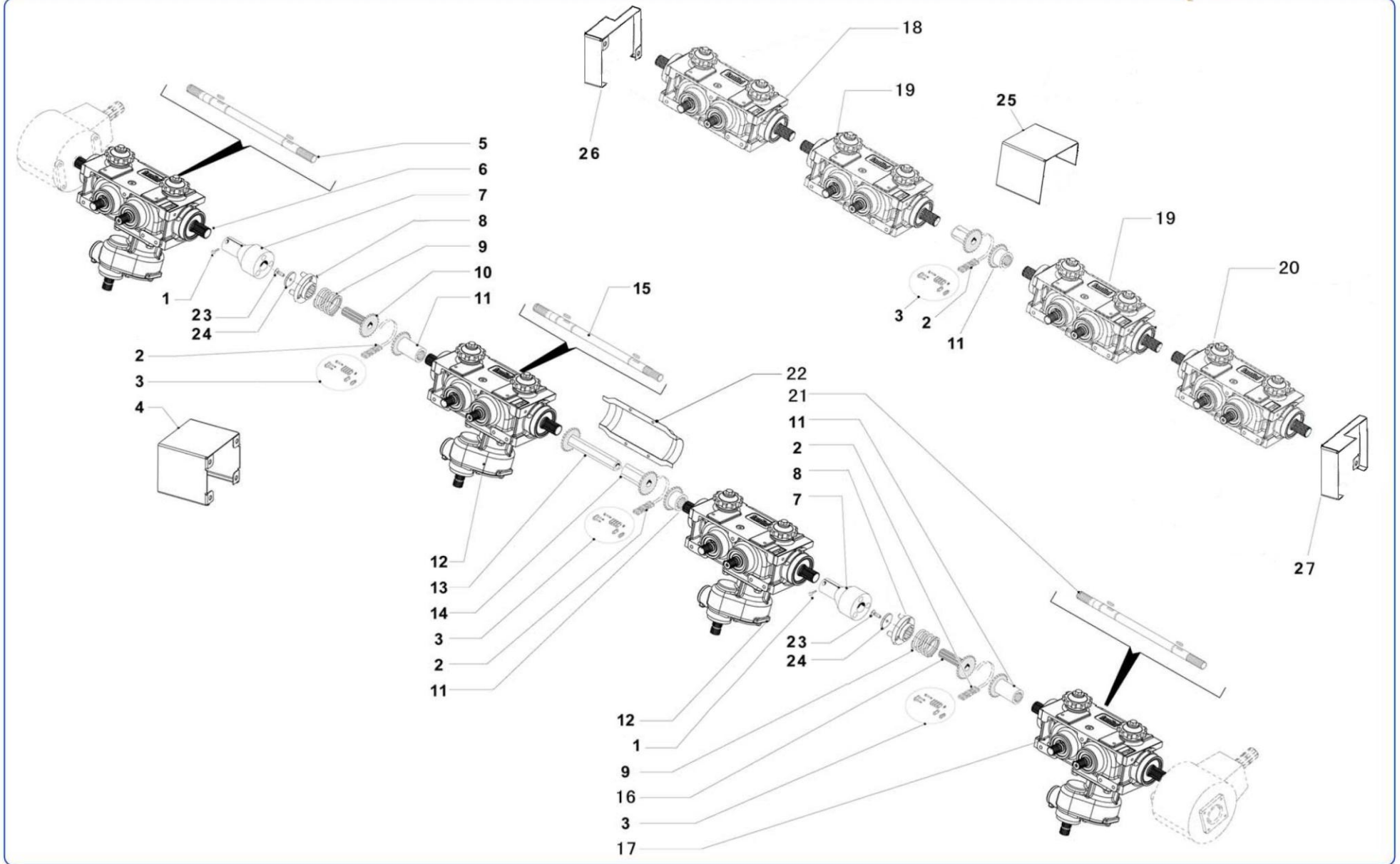
Row Unit Gear Box (A-04)

<u>Pos.</u>	<u>Number</u>	<u>Description</u>	<u>Pos.</u>	<u>Number</u>	<u>Description</u>
1	15541	Protective Screen	25	21543	Bolt TE M10X030 UNI 5739 10.9
2	09793	Seal A+P 35X80X10 A	26	03465	Ring Bevel Gear with Shank(keyed)
3	00587	Snap Ring UNI 7437 In. Ø80	26	23848	Ring Bevel Gear with Shank(Z18 splined)
4	19509	Spacer 69.0x79.9	27	19874	Key Way 08x07x025 UNI 6604-69B
5	01264	Bearing 6307	28	19875	Spacer 25.6x35.3
6	03464	Z16 M5 Bevel Gear	29	01288	Bearing 06205
7	19870	Spacer 35.3X48.0	30	00585	Snap Ring UNI 7437-75 In. Ø52
8	15078	Snap Ring UNI 7436-75 Ex 035	31	19876	Spacer 33.7x25.7-15.4
9	14817	Ring Gear	32	15539	Seal A+P 40X52X07 A
10	19873	Shaft W/ Gear Z13	33	19879	Spacer 25.6X35.3X0.5
11	13763	Z23 M4.5 Gear	34	14556	Z9 Sprocket
12	01266	Bearing 06207	34	23383	Z9 Sprocket, splined Z18
13	13765	Seal A+P 35X52X07 A	35	19880	Washer 13X35X05 UNI 6602
14	01261	Bearing 6206 2RS	36	19882	Dipstick
15	01050	Spacer 30.3X44.0X0.5	37	03927	3/8 Gasket
16	14812	Spacer	38	19883	Drain Plug
17	19871	Spacer 30.3X44.0	39	23210	Central Gearbox Casing
18	14863	Snap Ring UNI 7436-75 EX. Ø30	39	23847	Left Gearbox Casing
19	17341	Snap Ring UNI 7436-75 Ex. Ø40	39	23846	Right Gearbox Casing
20	19872	Spacer 51.5x40.3x1.0	40	19886	Retainer Plate
21	13762	Shaft	41	19888	Bolt TS M10X020 UNI 5933 10.9
22	16524	Spacer 48.0X035.3-002.5	42	14808	M30 Clutch
23	16522	Spacer 35.2X044.5-058.7	43	20798	Blanking Plate
24	14813	Key Way 10x08x020 UNI 5504-69B	44	06002	Drain Plug
			45	00429	Bolt TE M12X025 UNI 5739

A 05

ROW UNIT DRIVE LINE

fantini north america



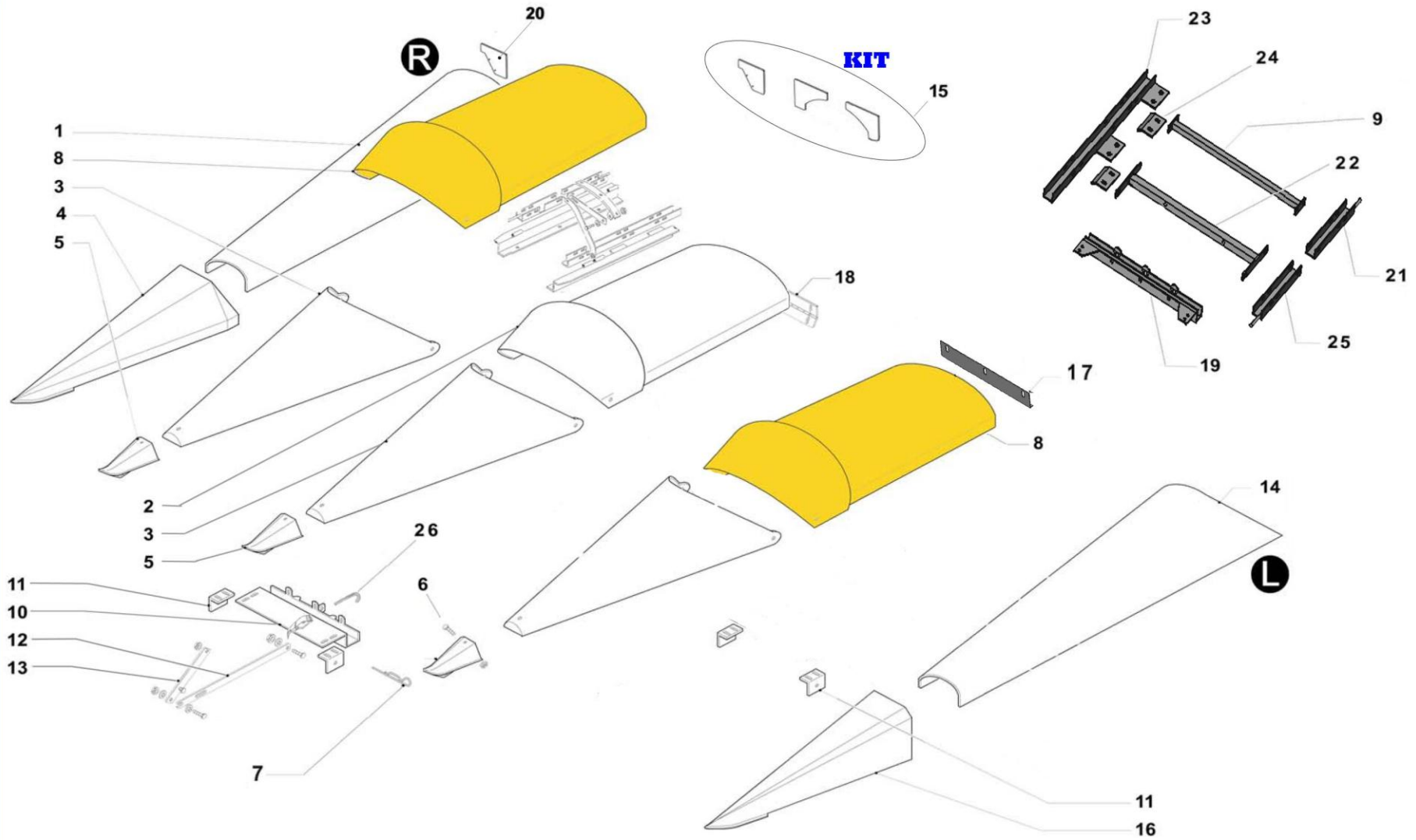
Row Unit Gearbox Drives (A-05)

<u>Pos.</u>	<u>Number</u>	<u>Description</u>	<u>Pos.</u>	<u>Number</u>	<u>Description</u>
1	00169	Coupler Bolt	14	20811	Outer Coupling (12 Row)
2	17402	Chain 17 Links ASA50	14	20809	Outer Coupling (6 & 8 Row)
2	21685	Chain ASA60 22in.	15	14814	Central Shaft L=531mm
3	03123	Connecting link ASA60 22in.	16	14158	Shaft L=137mm M10
3	03121	Connecting link ASA50	16	14160	Shaft L=187mm M10
4	20802	Folding Guard L=189mm	16	11993	Shaft L=87mm M10
5	14457	Right Shaft L=581mm	17	22960	Left Gear Box w/ Chopping Box
6	22959	Right Gear Box w/ Chopping Box	18	19899	Right Gear Box w/o Chopper Box
7	20805	Coupling 165mm	19	23711	Center Gear Box w/o Chopper box
8	20806	Drive coupling	20	23713	Left Gearbox w/o Chopper Box
9	10393	Spring	21	14458	Left Shaft L=581mm
10	14157	Right Coupling L=137mm M12	22	19434	Shield
10	14159	Right Coupling L=187mm M12	23	10703	Beveled Coupler Bolt M12X30
10	12362	Right Coupling L=87mm M12	24	00530	Beveled Coupler Bolt M10X25
11	13083	Chain Coupling	24	24524	Beveled Coupler Washer M12
11	18610	Chain Coupling 22in.	25	24525	Beveled Coupler Washer M10
12	22958	Central Gear Box w/ Chopping Box	25	24616	Connection Guard 22in.
13	20808	Inner Coupling (12 Row)	26	23438	Right Side Guard
13	20807	Inner Coupling (6 & 8 Row)	27	23489	Left Side Guard

B 01

PLASTIC COVERS

fantini north america



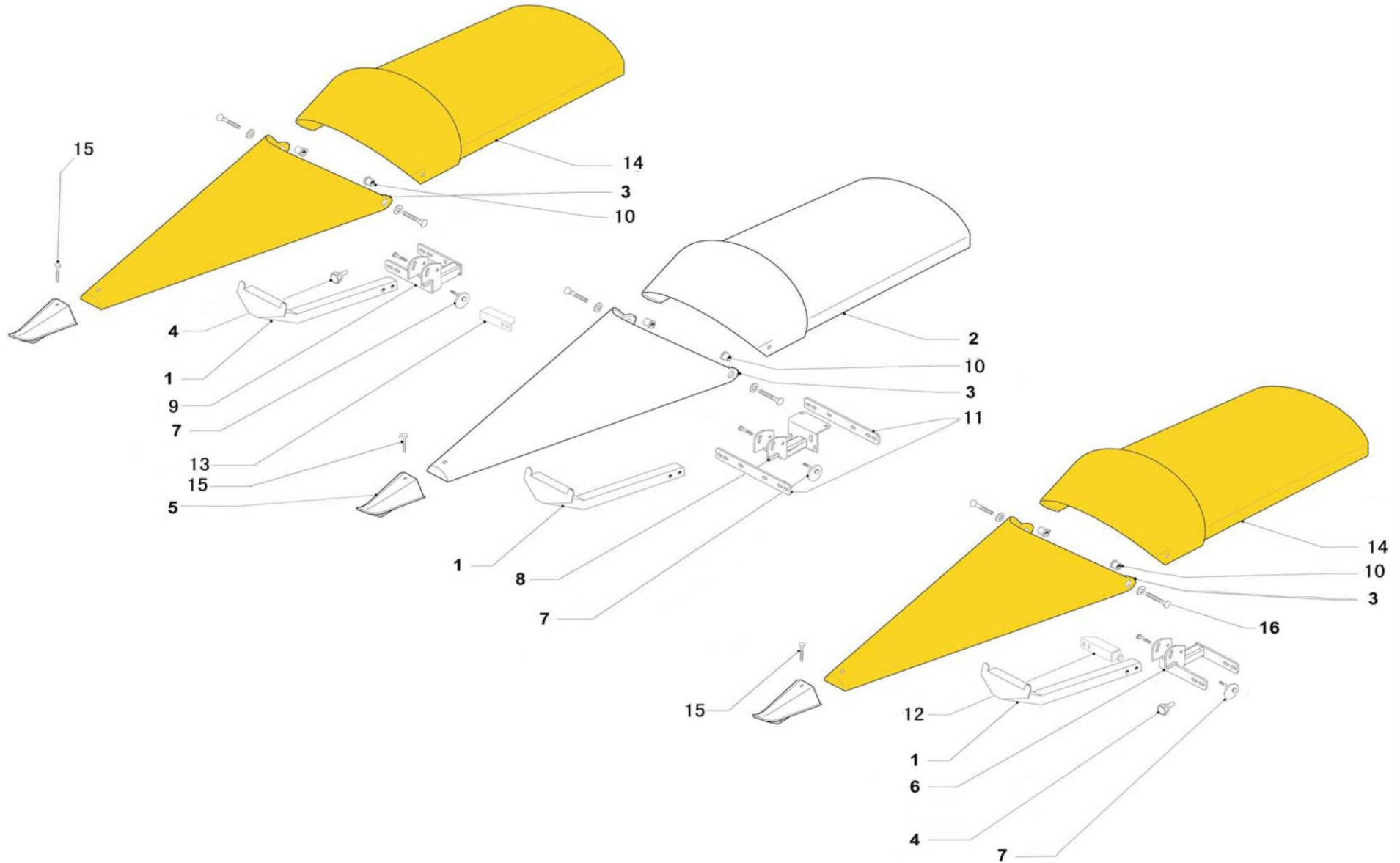
Plastic Covers (B-01)

<u>Pos.</u>	<u>Number</u>	<u>Description</u>	<u>Pos.</u>	<u>Number</u>	<u>Description</u>
1	21178	Right Green Side Triangle	11	20828	"L" Bracket
1	21179	Right Red Side Triangle	12	13470	Long Hinge Arm L = 330mm
1	20198	Right Yellow Side Triangle	13	10968	Short Hinge Arm L = 258mm
2	20553	Green Hood	14	21180	Left Green Side Triangle
2	20554	Red Hood	14	21181	Left Red Side Triangle
2	19229	Yellow Hood	14	20199	Left Yellow Side Triangle
2	24413	Hood 22in	15	19827	6 Row Ear Saver Kit
3	20555	Green Point	15	18929	8 Row Ear Saver Kit
3	20556	Red Point	15	19833	12 Row Ear Saver Kit
3	19231	Yellow Point	15	19834	16 Row Ear Saver Kit
3	24415	Point 22in.	16	21189	Left Green Lateral Tip
4	21188	Right Green Lateral Tip	16	21187	Left Red Lateral Tip
4	21186	Right Red Lateral Tip	16	10799	Left Yellow Lateral Tip
4	10798	Right Yellow Lateral Tip	17	17756	Back Hood Plate
5	20827	Metal Tip	18	24621	Hinge 22in.
5	24841	Metal Tip 22in.	18	10955	Hinge
6	13378	Bolt M12X90	19	20831	Folding Hood Bracket
7	04537	"R" Clip	20	17014	End Ear Saver
8	20551	Green Folding Hood	21	21220	Pivoting Hood Bracket
8	20552	Red Folding Hood	22	21158	Hood Support Bar
8	19230	Yellow Folding Hood	23	21221	Right Side Folding Hood Bracket
9	21734	Hood Support Bar	23	21284	Left Side Folding Hood Bracket
10	20127	Fixed Hood Bracket	24	21731	Adjustable Stop
10	24614	Fixed Hood Bracket 22in.	25	21218	Pivoting Hood Bracket
			26	23669	"J" Hook

B 02

PLASTIC COVERS

fantini north america



Plastic Covers (B-02)

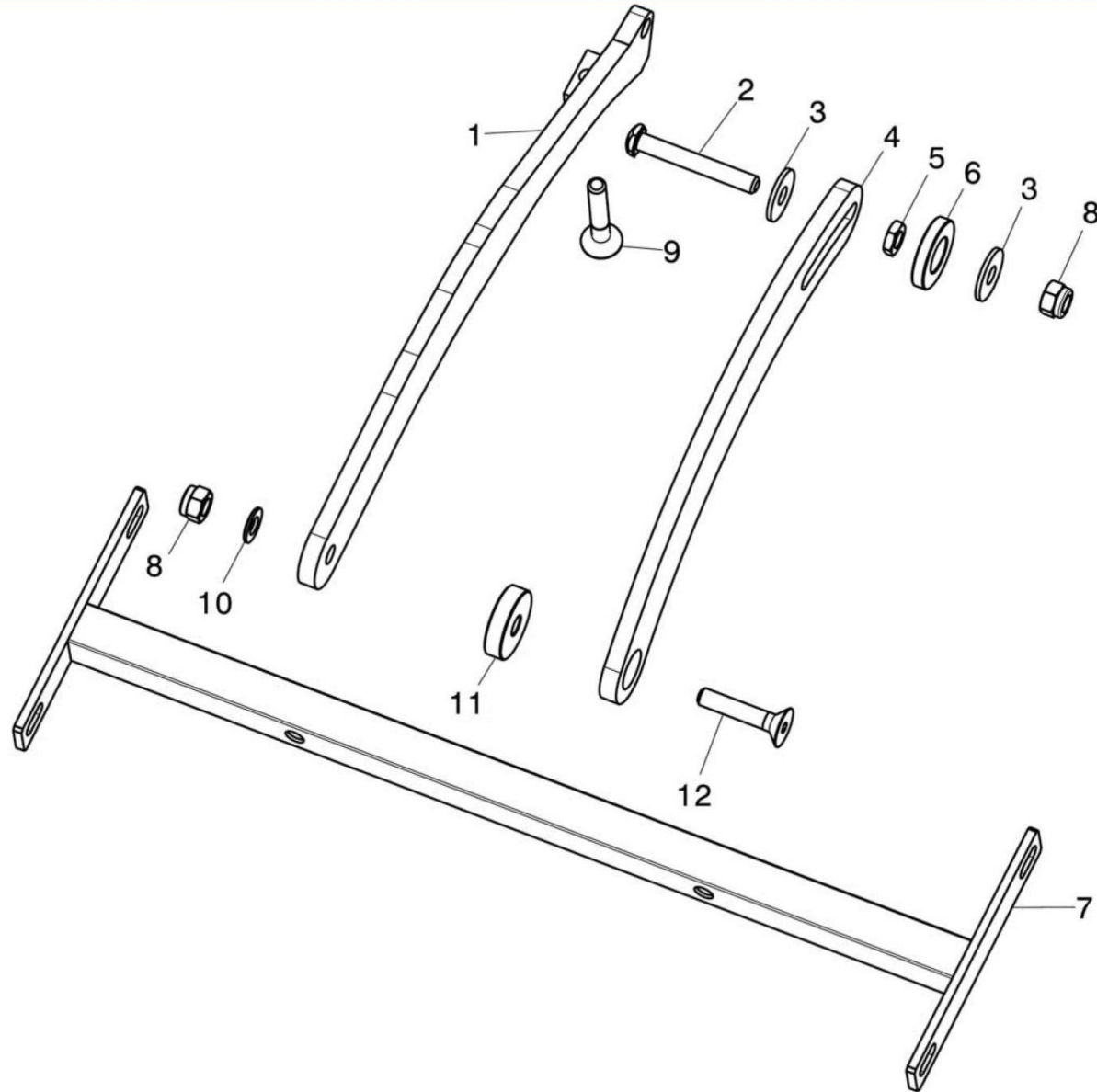
<u>Pos.</u>	<u>Number</u>	<u>Description</u>
1	20832	Point Support Arm
1	24542	Point Support Arm 22in.
2	20553	Green Hood
2	20554	Red Hood
2	19229	Yellow Hood
2	24413	Hood 22in.
3	20555	Green Point
3	20556	Red Point
3	19231	Yellow Point
3	24415	Point 22in.
4	20833	Pivot Pin
5	20827	Metal Tip
5	24841	Metal Tip 22in.
6	20835	Left Folding Bracket
7	20837	Tip Support Bolt w/ Washer

<u>Pos.</u>	<u>Number</u>	<u>Description</u>
8	20840	Central Bracket
9	20841	Right Folding Bracket
10	21323	Point Bushing L = 27mm
11	20766	Bracket Support (22 In.)
11	20767	Bracket Support (30 In.)
12	09827	Left L= 160Cm
12	09825	Left L=260Cm
13	09826	Right L= 160Cm
13	09824	Right L= 260Cm
14	20551	Folding Green Hood
14	20552	Folding Red Hood
14	19230	Folding Yellow Hood
15	13378	Bolt M12X90
16	14451	Bolt TS M10X90 UNI 5933

B 03

PLASTIC COVERS LEVER

fantini north america



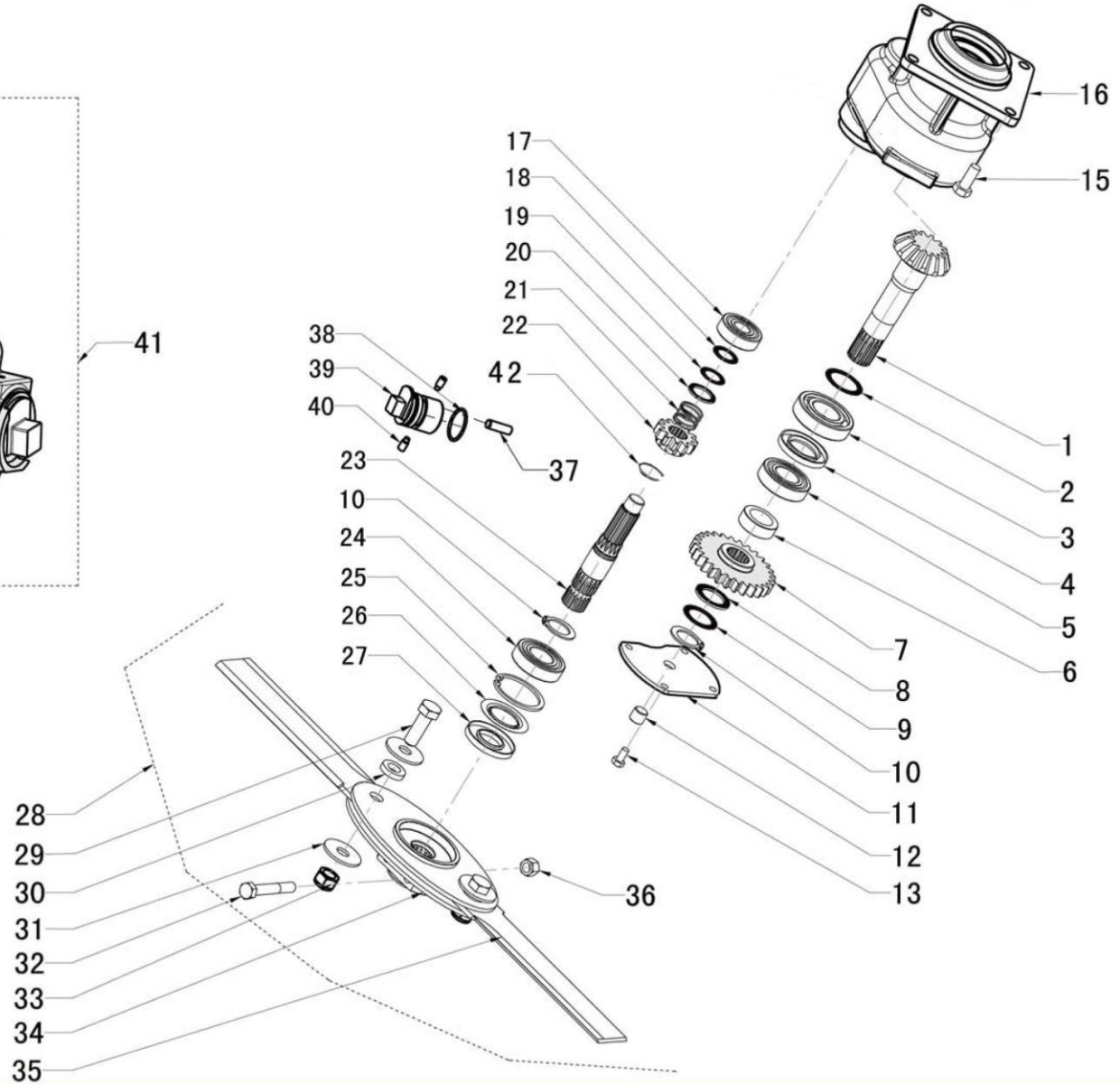
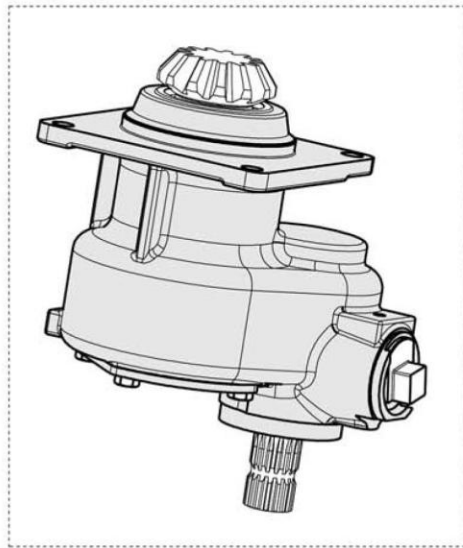
Plastic Covers Lever (B-03)

<u>Pos.</u>	<u>Number</u>	<u>Description</u>
1	21147	Long Pivot Arm
2	25453	Bolt M10X70
3	00928	Washer 10X30X3
4	21149	Short Left Pivot Arm
4	21148	Short Right Pivot Arm
5	00472	Non Locking Nut M10
6	20455	Nylon Spacer 40X20 SP. 7mm
7	21158	Hood Support Bar
8	04859	Nut M10
9	20331	Sunken Hex Bolt M10X60
10	00945	Washer M10
11	20439	Nylon Spacer 40X11 SP. 15mm
12	20457	Bolt M10X50

C 01

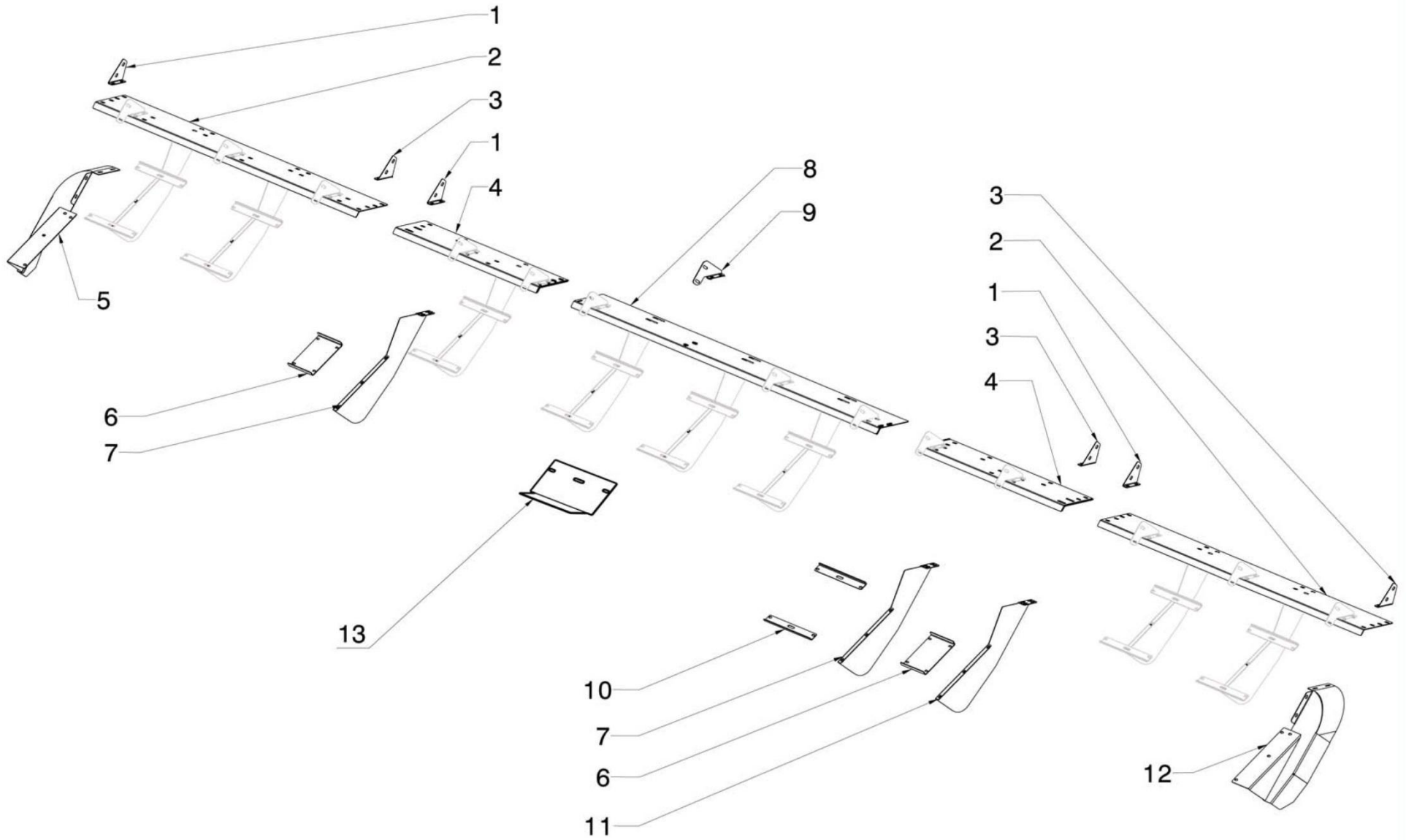
DISCONNECTABLE STALK CHOPPERS (TR)

fantini *north america*



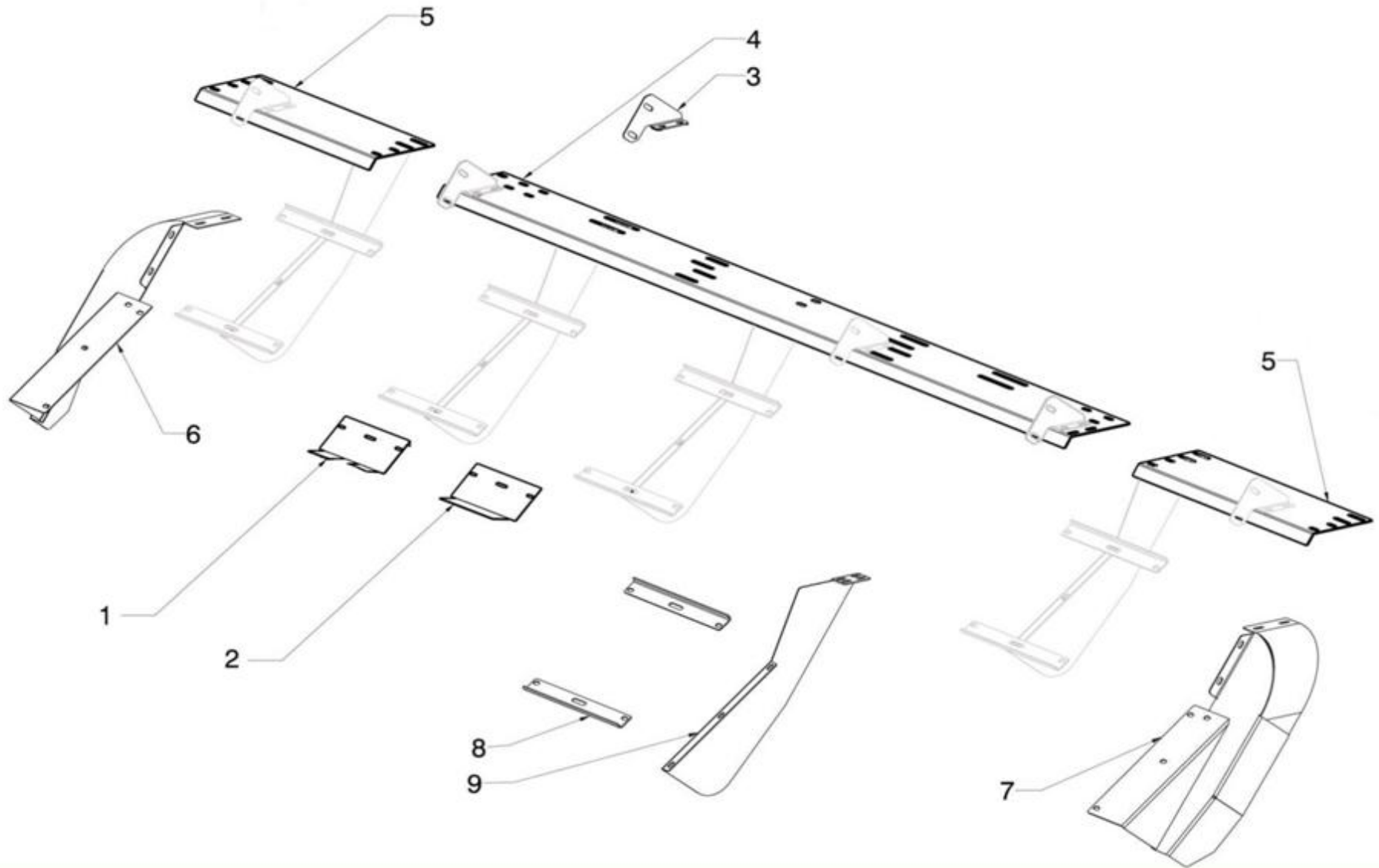
Dis-connectable Stalk Choppers – TR (C-01)

<u>Pos.</u>	<u>Number</u>	<u>Description</u>	<u>Pos.</u>	<u>Number</u>	<u>Description</u>
1	19889	Geared Shaft TR.713 M5.1 2009 LH3	23	13755	Stalk Chopper Shaft
2	19870	Spacer In. 035.3X048.0	24	01261	Bearing 06206-2RS
3	01266	Bearing 06207	25	00589	Snap Ring UNI 7437 INT. Ø62
4	13635	Packing Ring A+P 35X62X07 A	26	14864	Nylon Seal 6206 ZJV
5	01261	Bearing 6206 RS	27	01332	Seal A+P 30X62X07 A
6	14870	Spacer 044.5X030.1-015.0	28	09632	Complete Disc Assy., L=290mm Reg. 75
7	17033	Gear	29	00434	Bolt TE M16X045 UNI 5739 08.8
8	14871	Spacer 044.0X030.3-002.5	30	03959	Spacer 29.5X016.5-6.5
9	19871	Spacer 30.3X44.0 Black	31	00935	Washer 16X4803 UNI 6593
10	14863	Compression Ring UNI 7436-75 Est. 30	32	03941	Bolt M12x1.5-70 10.9
11	19891	Plate	33	04863	Nut M16 UNI 7473
12	19478	Plug 3/8G	34	21264	Chopper Disc
13	00420	Bolt TE M08X016 UNI 5739 08.8	35	13741	Knife - Long L=290 Reg. 75;80Cm
15	00371	Bolt TE M12X030 UNI 5739 08.8	36	04861	Nut M12 UNI 7473 A 1,25mm
16	19893	Chopper Box Casing	37	14868	Pin 10X032 UNI 8734
17	13760	Bearing 1 RIM 06304-2RS	38	14866	O Ring Seal 3137 34.60X2.62
18	14861	Washer 20.5X32.0x0.5	39	19896	Hub I.D. L170B LH3
19	19894	Washer 20.5X32.0X1.0 Black	40	19897	Grub Screw M08X016 UNI 5925 14.9
20	14862	Washer 25.2X34.8X2.0 Black	41	20035	Chopper Box
21	13756	Spring	42	100728	Snap Ring
22	17032	Gear			



Sheet of Protection 12 Folding (C-02)

<u>Pos.</u>	<u>Number</u>	<u>Description</u>
1	20842	Right back plate support
2	20856	Back plate 114mm
3	20849	Left back plate support
4	20866	Back plate 209mm
5	20851	Right lateral guard
6	20853	Divider plate
7	20855	Standard divider
8	20867	Central back plate 242 mm
9	20860	Central back plate support
10	20140	Reinforcing angle bar
11	20861	Left Divider
12	20850	Left lateral guard
13	20863	Deck Plate Actuator Guard



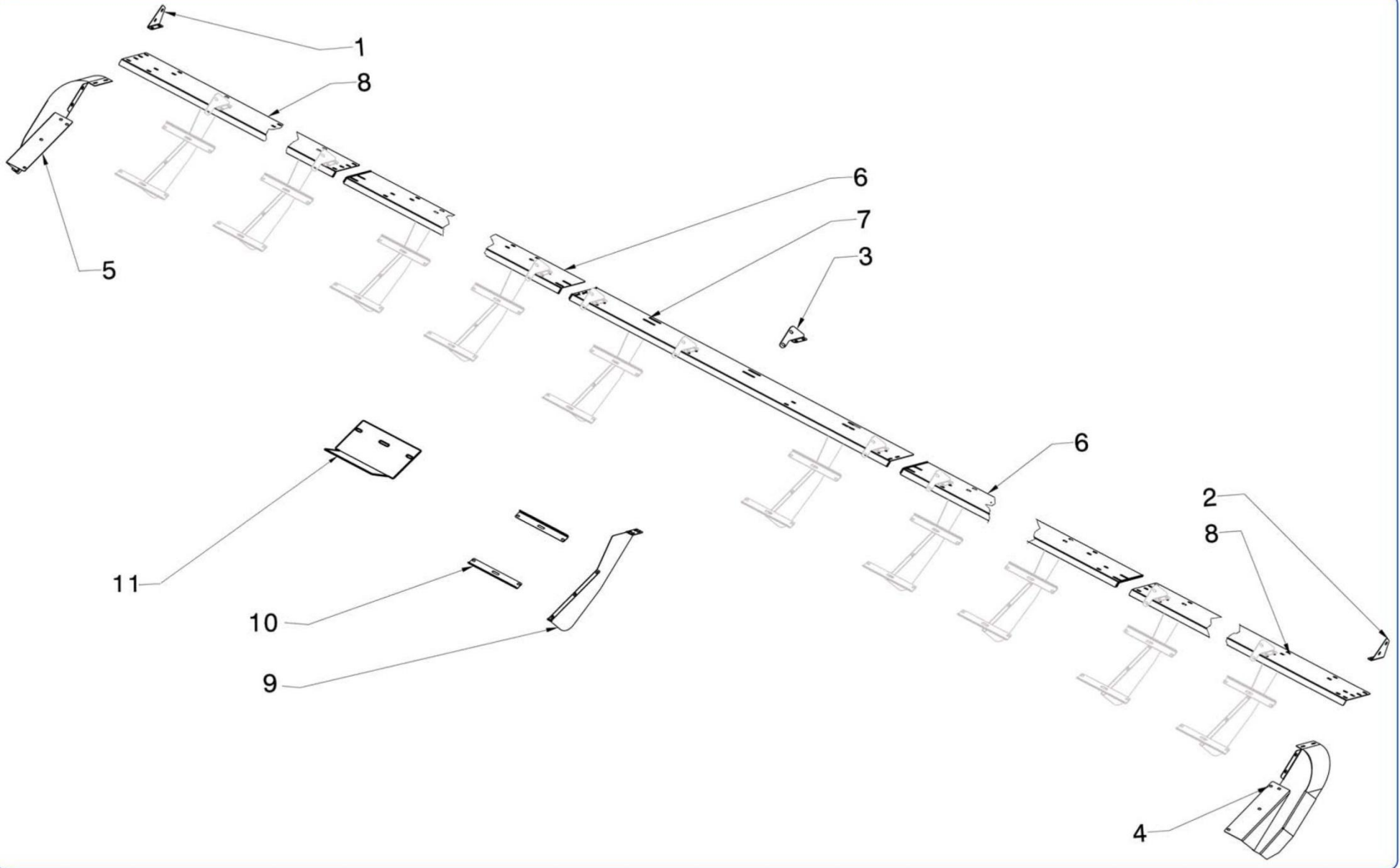
Sheet of Protection (C-03)

<u>Pos.</u>	<u>Number</u>	<u>Description</u>
1	23510	Deck Plate Actuator Guard 22in.
2	20863	Deck Plate Actuator Guard
3	20860	Central back plate support
4	20869	Central back plate
5	21820	Lateral Back Plate, 6 Row 30in.
5	21959	Lateral Back Plate, 8 Row 30 in.
5	23474	Lateral Back Plate, 12 Row 30in.
5	22893	Lateral Back Plate, 12 Row 22in.
5	24537	Lateral Back Plate, 16 Row 22in.
5	23372	Lateral Back Plate, 6 Row 38in.
5	23143	Lateral Back Plate, 8 Row 38in.
5	23464	Lateral Back Plate, 12 Row 38in.
6	20851	Right lateral guard
7	20850	Left lateral guard
8	20140	Reinforcing angle bar 30in.
8	24478	Reinforcing Angle Bar 22in.
9	20855	Divider, standard

C 04

SHEET OF PROTECTION 16 ROW FIXED L03

fantini north america



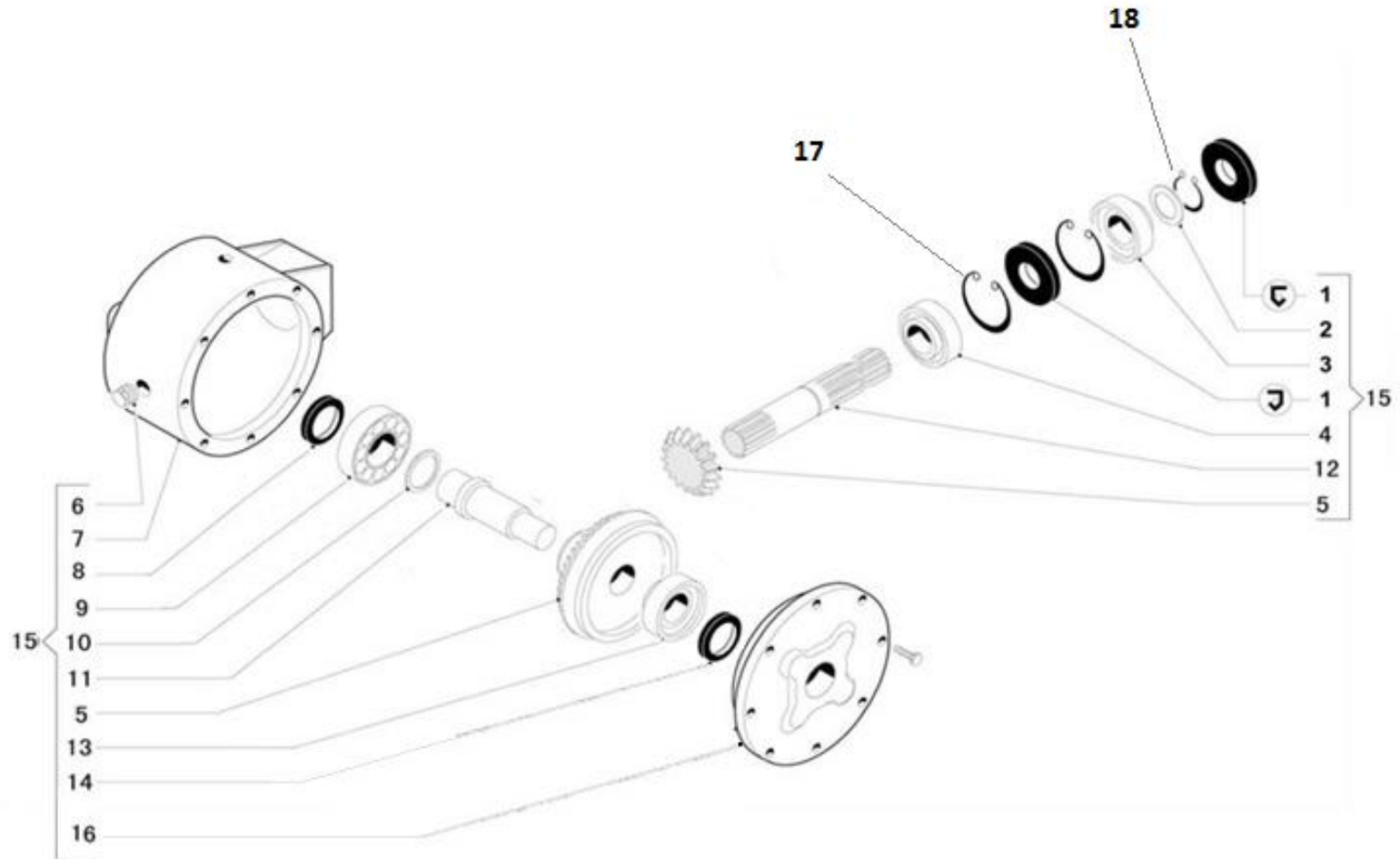
Sheet of Protection 16 Row Fixed LO3 (C-04)

<u>Pos.</u>	<u>Number</u>	<u>Description</u>
1	20842	Right Back Plate Support
2	20849	Left Back Plate Support
3	20860	Central Back Plate Support
4	20850	Left Lateral Guard
5	20851	Right Lateral Guard
6	20871	Back Plate
7	20867	Central Back Plate
8	29872	Lateral Back Plate
9	20855	Divider, Standard
10	20140	Reinforcing Angle Bar
11	20863	Deck Plate Actuator Guard

D 01

6 AND 8 ROW FEMALE GEARBOX T-304

fantini *north america*



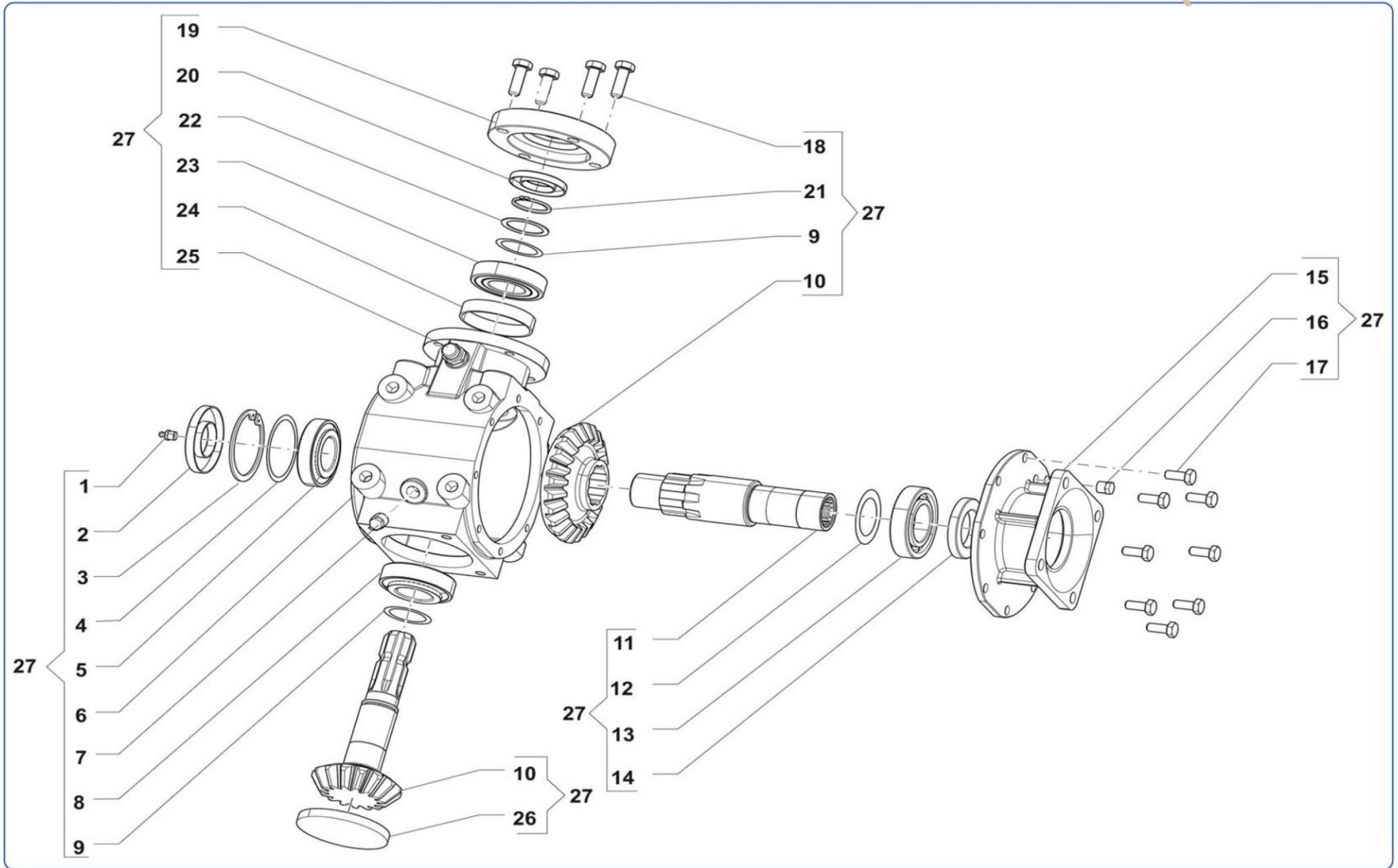
6 and 8 Row Female Gearbox T-304 (D-01)

<u>Pos.</u>	<u>Number</u>	<u>Description</u>	<u>Pos.</u>	<u>Number</u>	<u>Description</u>
1	20310	Seal A+P 35X72X08 A	10	13622	Spacer 50.2X57.5.0.1
2	01061	Spacer 35.X48X0.25	11	14886	Bushing
3	13647	Tapered Roller Bearing 30207	12	13624	Shaft
4	13650	Bearing 32207	13	01280	Tapered Roller Bearing 30208
5	13777	Bevel Gear Set 15/25	14	14885	Seal 40X62X7 TC
5	13776	Bevel Gear Set 17/24	15	14334	Female Box 14/30 T-304
5	13774	Bevel Gear Set 15/24	15	12613	Female Box 15/24 T-304
5	13773	Bevel Gear Set 16/24	15	13178	Female Box 15/25 T-304
5	13772	Bevel Gear Set 15/29	15	12979	Female Box 15/29 T-304
5	13770	Bevel Gear Set 14/30	15	14333	Female Box 16/24 T-304
6	06570	Plug 3/8G	15	14332	Female Box 17/24 T-304
7	20873	Casing T-304	16	20876	Cover
8	14885	Seal A+P 40X62X07 A	17	00586	Snap ring
9	13767	Bearing 6010	18	15078	Snap ring

D 02

12 ROW FEMALE GEARBOX T-312M

fantini north america



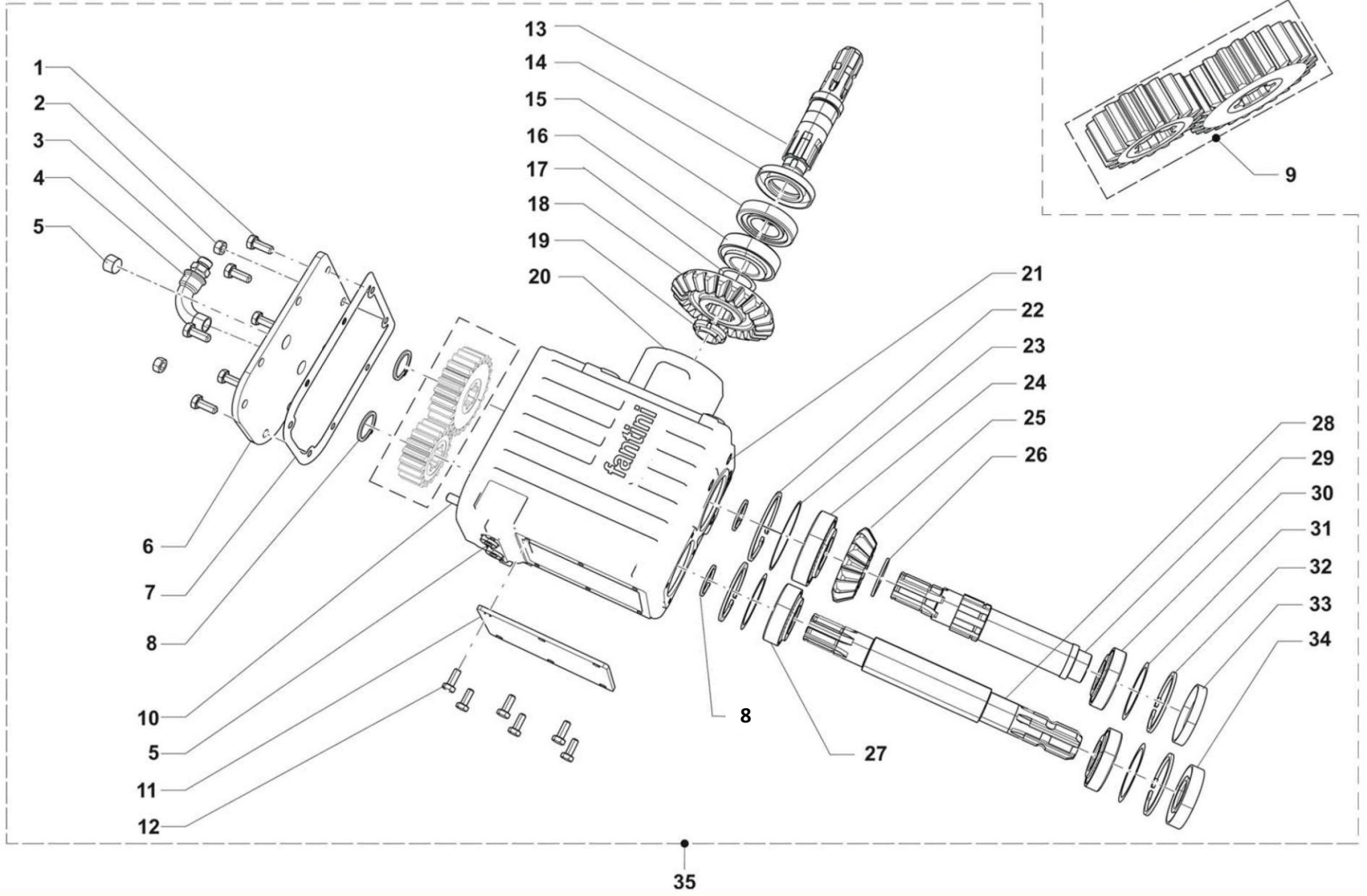
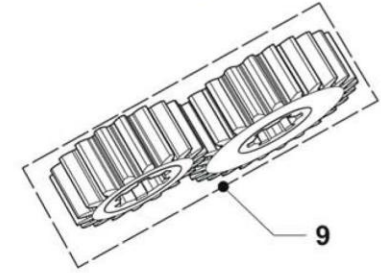
12 Row Female Gearbox T-312M (D-02)

<u>Pos.</u>	<u>Number</u>	<u>Description</u>	<u>Pos.</u>	<u>Number</u>	<u>Description</u>
1	05946	Greaser M10 UNI 7662	12	19508	Shim 45.3X65.3X0.5
2	05956	Seal Ring A+P 40X80X10 A	13	08874	Ball Bearing 6209
3	00587	Elastic Ring UNI 7437 INT. 80	14	01339	Seal A+P 45X72X10 A
4	19510	Shim 60.0X79.9X0.3	15	20878	Case Flange
4	19511	Shim 69.0X79.9X0.4	16	19518	Plug 1/2 G
4	19512	Shim 60.0X79.9X0.5	17	00251	Bolt M10X25 UNI 5739
5	01280	Tapered Roller Bearing 30208	18	00373	Bolt M12X35 UNI 5739
6	20877	Cast Iron Case T-312M	19	19495	Cover, Pass Through
7	06570	Plug 3/8G	20	19513	Seal A+P 35X62X8 A
8	12036	Tapered Roller Bearing 32208	21	17341	Elastic Ring UNI 7436 EST. 40
9	19502	Shim 40.3X51.5X0.3	22	19514	Shim 51.5X40.3X1.5
9	19503	Shim 40.3X51.5X0.4	23	01272	Ball Bearing 6208 2RS
9	19504	Shim 40.3X51.5X0.5	24	19499	Spacer 75.0X79.8X14.5
10	19528	Bevel Gear Set 14/30	25	05976	Plug 3/8G
10	20878	Bevel Gear Set 15/24	26	19500	Cover 100X10
10	19529	Bevel Gear Set 15/29	27	17807	Female Box 14/30 T-312M
11	19493	Shaft	27	20880	Female Box 15/24 T-312M
12	19506	Shim 45.3X65.3X0.3	27	17805	Female Box 15/29 T-312M
12	19507	Shim 45.3X65.3X0.4			

D 03

VARIABLE GEARBOX M-767A

fantini north america



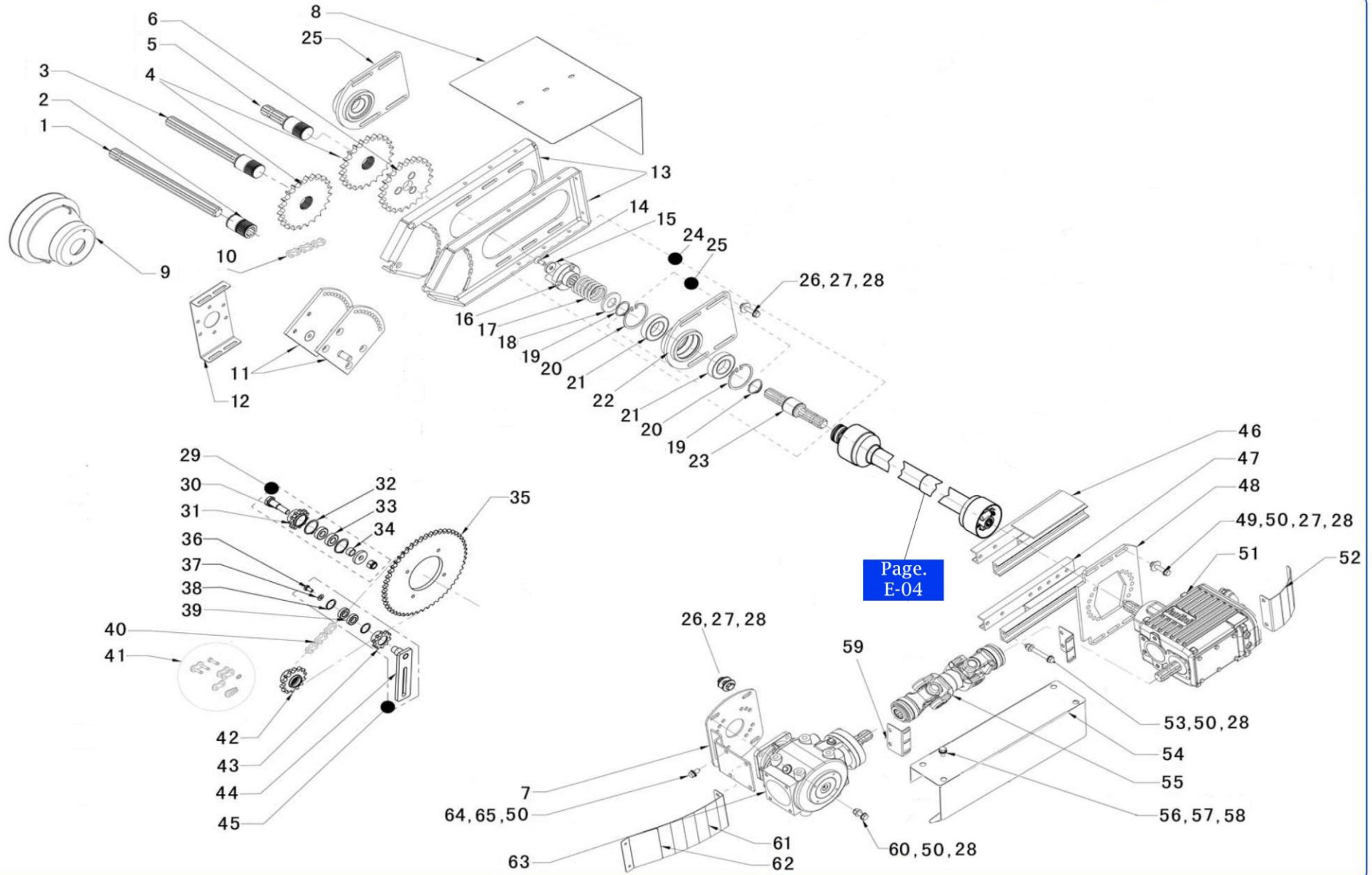
Variable Gearbox M-767A (D-03)

<u>Pos.</u>	<u>Number</u>	<u>Description</u>	<u>Pos.</u>	<u>Number</u>	<u>Description</u>
1	00251	Bolt M10X025 UNI 5739	17	19487	Shim 40.3X51.5X0.4
2	00471	Nut M10 UNI 5587 A	17	19488	Shim 40.3X51.5X0.5
3	18542	Breather tube	18	19420	Tapered Ring Gear Z24 M5.82
4	18541	Tube for Breather	19	19476	Ring Nut M30X1.5
5	20881	Plug	20	20883	Cast Iron Box M30x1.5
6	19427	Cover	21	19478	Plug
7	16733	Gasket	22	09472	Snap Ring UNI 7437-75 INT. 90
8	19470	Snap ring UNI 7436-75 EST. 34	23	19482	Shim 85.0X89.7X0.3
9	16222	Gear Set 18/24	23	19483	Shim 85.0X89.7X0.4
9	16219	Gear Set 18/25	23	19484	Shim 85.0X89.7X0.5
9	16224	Gear Set 19/23	24	12039	Tapered Roller Bearing 30308
9	16218	Gear Set 19/24	25	19426	Tapered Sprocket
9	16223	Gear Set 20/22	26	19471	Snap Ring UNI 7436-75 EST. 45
9	16221	Gear Set 20/23	27	13650	Tapered Roller Bearing 32207
9	16225	Gear Set 21/21	28	19418	Shaft to Knuckles
9	16220	Gear Set 21/22	29	19432	Box Shaft
10	19480	Bolt M10X22	30	13647	Bearing 30207
11	20882	Cover	31	19490	Shim 60.3X71.7X0.3
12	19540	Bolt	31	19491	Shim 60.3X71.7X0.4
13	19419	Shaft to PTO	31	19492	Shim 60.3X71.7X0.5
14	01349	Seal 45X80X10	32	19479	Snap Ring UNI 7438-75 INT 72
15	01280	Tapered Roller Bearing 30208	33	19465	Seal 72X10
16	12036	Tapered Roller Bearing 32208	34	01334	Seal A+P 35x72x10A
17	19485	Shim 40.3X51.5X0.3	35	16638	Complete Gear Box M767A

E 01

TRANSMISSION 12 ROW FOLDING

fantini north america



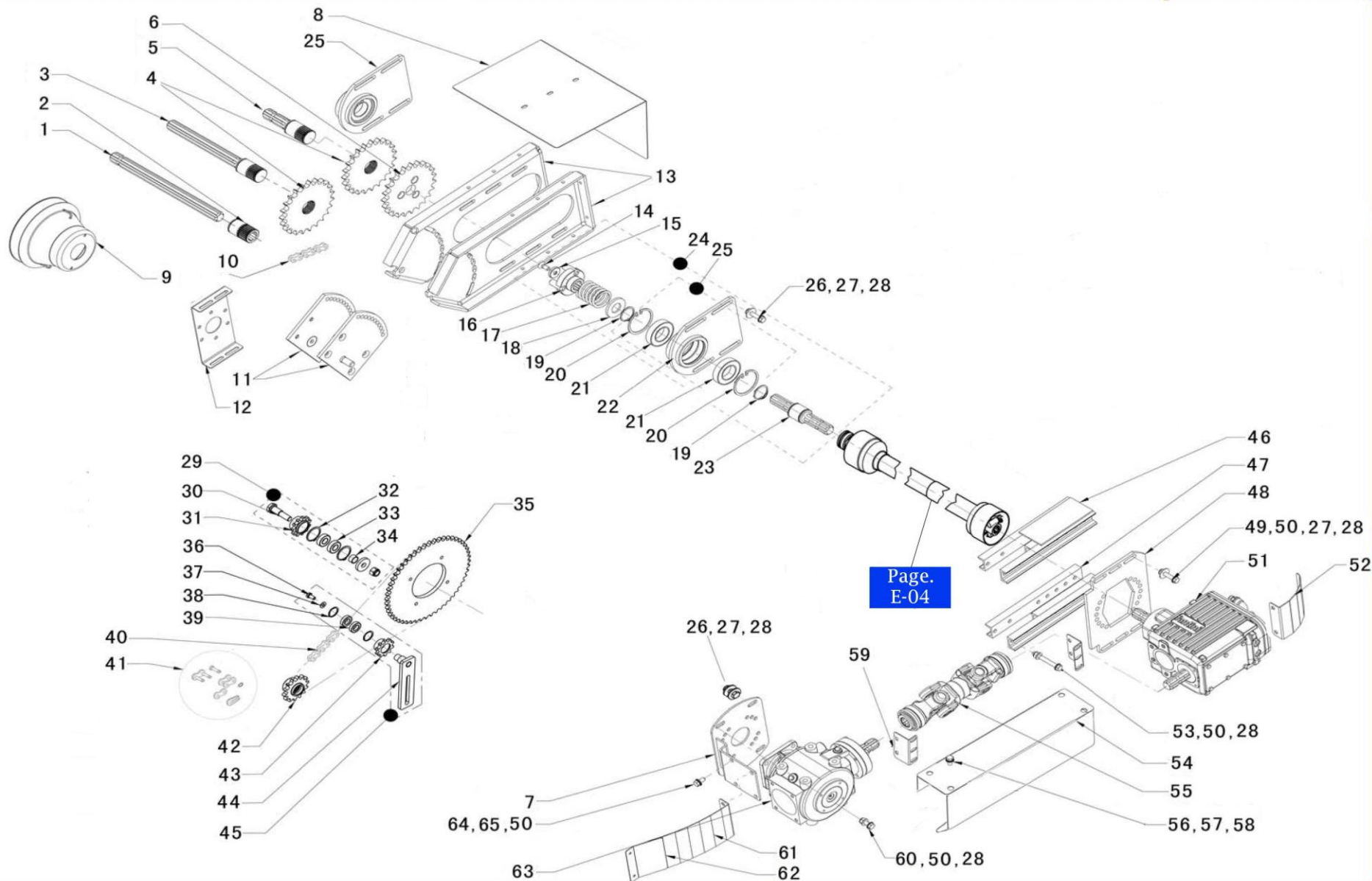
Transmission 12 Row Folding (E-01)

<u>Pos.</u>	<u>Number</u>	<u>Description</u>	<u>Pos.</u>	<u>Number</u>	<u>Description</u>
1	09193	Shaft	24	18716	Complete Right Housing Plate
2	15391	Shaft end	25	16952	Housing Plate With Bearings
3	13904	Shaft	26	00373	Bolt M12X35
4	13980	Sprocket Z 23	27	01064	Washer 13X40X3
5	13903	Shaft	28	04860	Nut M12
6	13881	Coupling Sprocket Z 23	29	16567	Complete Tensioner
7	25468	Left Gear Box Support	30	14185	Pin
7	25494	Right Gear Box Support	31	16519	Sprocket Z 11 ASA 60
8	21589	Green Shield	32	00591	Snap Ring
8	21590	Red Shield	33	01265	Bearing 6004-2RS
8	13902	Yellow Shield	34	16568	Spacer 25X20.6X13
9	12843	PTO Shield	35	20899	Sprocket Z 52 ASA 60
10	13936	Chain ASA 80-2	36	00378	Bolt M10X20
11	13899	Small Adjustment Plate	37	00952	Washer M10
12	17830	PTO Bracket	38	10717	Snap Ring
13	15530	Large Adjustment Plate	39	10650	Bearing 61904-2RS
14	10703	Bolt TS M12X30	40	03049	Chain ASA 60HE 73
14	00530	Bolt M10X25	41	03125	Connector Link ASA 60HE
15	24524	Beveled Washer M12	42	20898	Sprocket Z13 ASA 60
15	24525	Beveled Washer M10	42	16643	Sprocket Z14 ASA 60 Standard
16	20806	Three Prong Coupling	42	20897	Sprocket Z15 ASA 60
17	10393	Spring	43	10800	Sprocket Z10 ASA 60
18	09741	Spring Cap	44	13876	Tensioner Arm
19	09424	Snap Ring	45	15225	Complete Tensioner With Arm
20	09472	Snap Ring	46	20888	Left Support
21	13941	Bearing 06210-Z	47	20889	Right Support
22	13900	Bearing Housing Plate	48	16101	Plate
23	13879	Shaft For Left Side	49	00387	Bolt M12X60
23	11823	Shaft For Right Side	50	00947	Washer M12
24	18715	Complete Left Housing Plate	51	16638	Gear Box M-767A (Page. D-03)

E 01

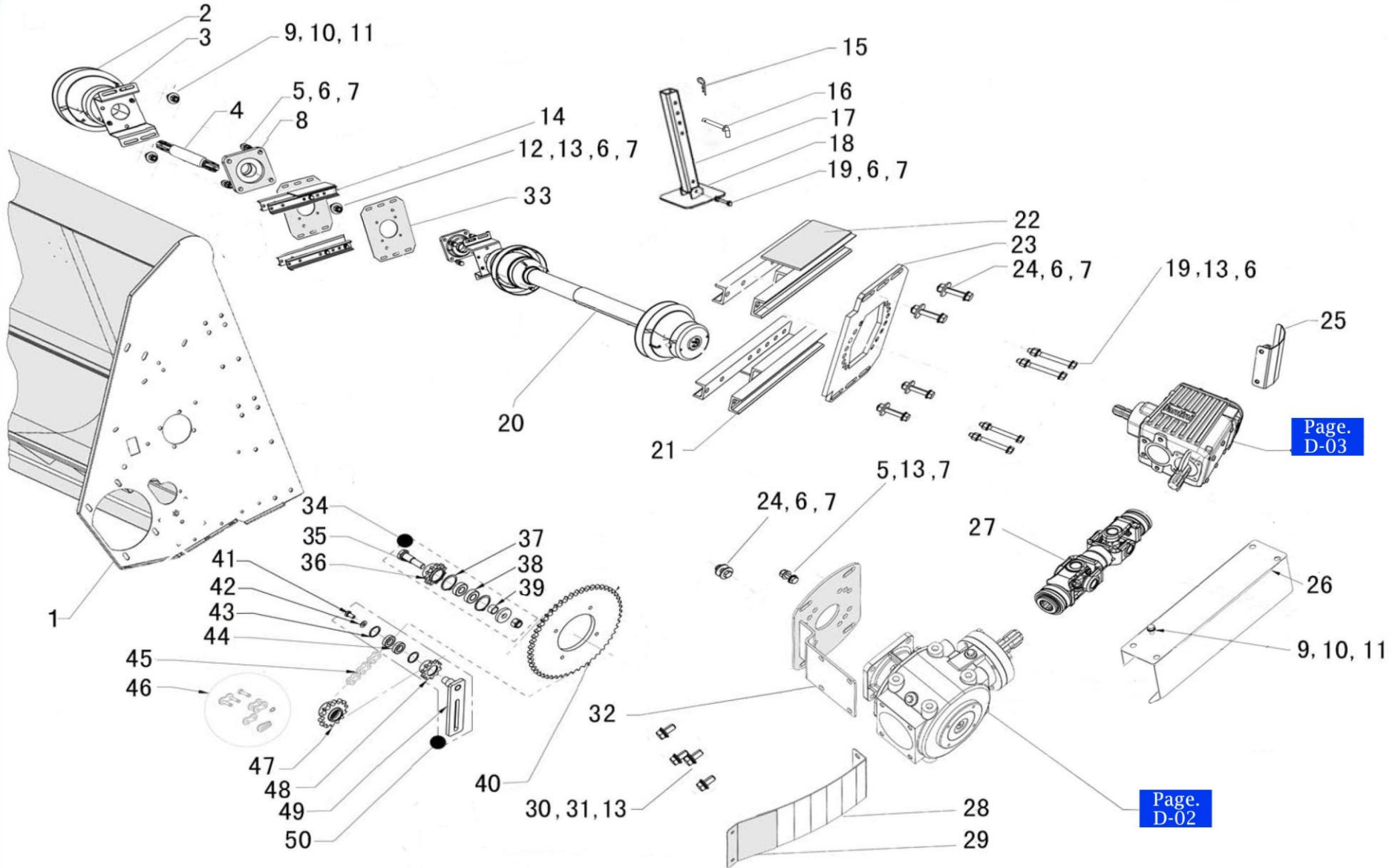
TRANSMISSION 12 ROW FOLDING

fantini north america



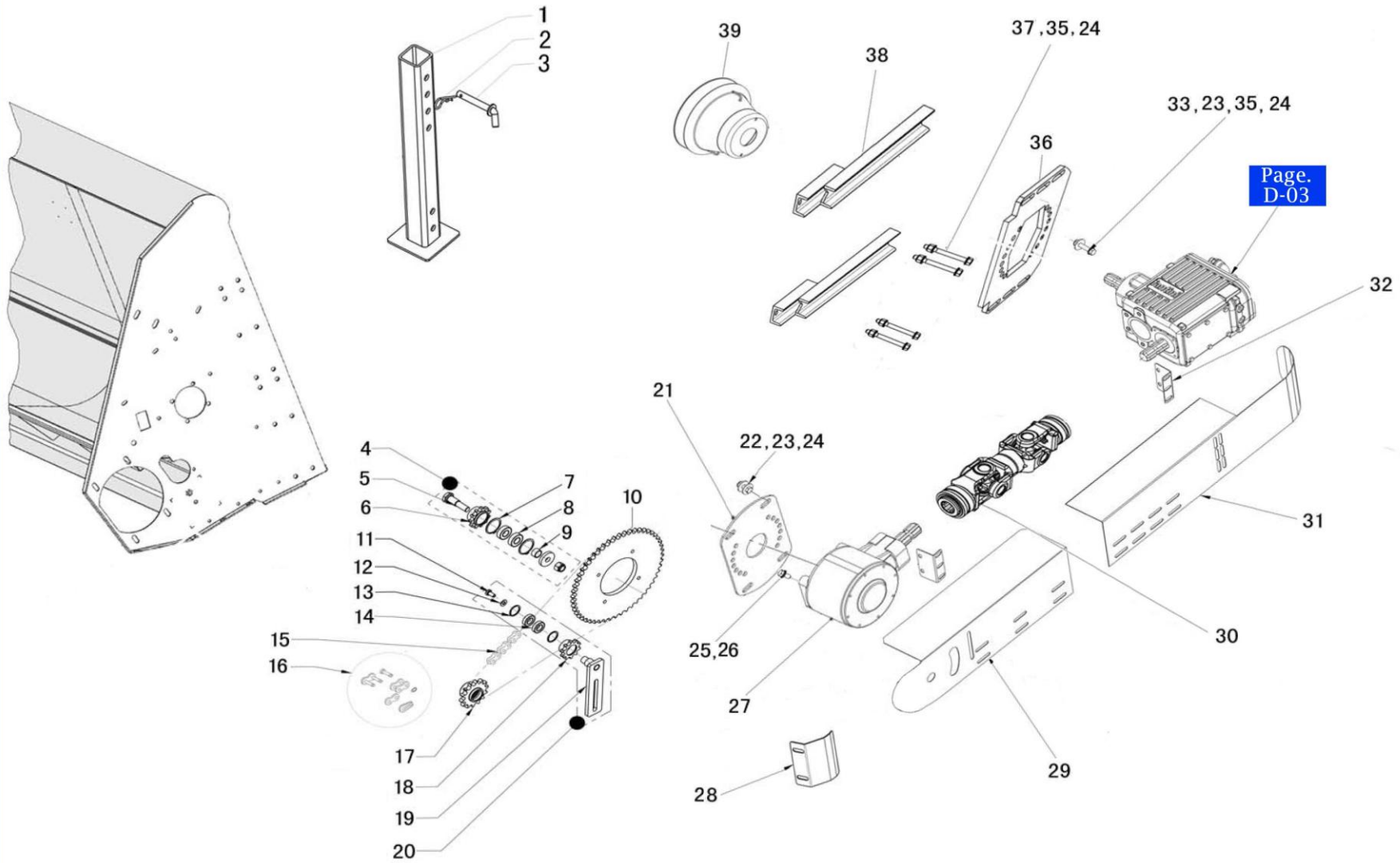
Transmission 12 Row Folding (E-01)

<u>Pos.</u>	<u>Number</u>	<u>Description</u>
52	21595	Green Back Guard
52	21596	Red Back Guard
52	20887	Yellow Back Guard
53	11988	Bolt TE M12X100
54	21575	Green Knuckle Cover
54	21576	Red Knuckle Cover
54	20890	Yellow Knuckle Cover
55	14055	Knuckles L=406
55	14364	Knuckles L=470
55	14746	Knuckles L=536
55	14433	Knuckles L=568
55	14432	Knuckles L=591
56	00383	Bolt M8X20
57	00946	Washer M8
58	04858	Nut M8
59	15559	Guard Bracket
60	00450	Bolt M12X40
61	21581	Green Side Guard Larger
61	21582	Red Side Guard Larger
61	20902	Yellow Side Guard Larger
62	21599	Green Side Guard Smaller
62	21600	Red Side Guard Smaller
62	21573	Yellow side Guard Smaller
63	17807	14/30 Female (Page. D-02)
63	18811	15/24 Female (Page. D-02)
63	17805	15/29 Female (Page. D-02)
64	00429	Bolt M12X25
65	00915	Lock Washer M12



Transmission 12 Row Fixed (E-02)

<u>Pos.</u>	<u>Number</u>	<u>Description</u>	<u>Pos.</u>	<u>Number</u>	<u>Description</u>
1	20917	12X76 LO3 Frame	27	14055	Knuckles V60 3/8 Z6 - 3/8 Z6 L = 406
2	12843	PTO Protection Shield	28	21581	Green Large Side Guard
3	20957	Support	28	21582	Red Large Side Guard
4	17842	Shaft	28	20902	Yellow Large Side Guard
5	00450	Bolt TE M12X040 UNI 5737	29	21599	Green Small Side Guard
6	01064	Washer 13.0X40.0X3.0	29	21600	Red Small Side Guard
7	04860	Nut M12 UNI 7473 A	29	21573	Yellow Small Side Guard
8	01411	Support Bearing	30	00429	Bolt M12X25
9	00383	Bolt TC M08X020 UNI 5931	31	00915	Lock Washer M12
10	00946	Washer M08 UNI 6592	32	25468	Left Gear Box Support
11	04858	Nut M8 UNI 7473 A	32	25494	Right Gear Box Support
12	00371	Bolt TE M12X030 UNI 5739	33	20958	Support Plate
13	00947	Washer 12X24X02 UNI 6593	34	16567	Complete Tensioner
14	14090	Support Bracket	35	14185	Pin
15	01009	"R" Clip 3.5 A UNI 8833.	36	16519	Sprocket Z 11 ASA 60
16	16415	Pin	37	00591	Snap Ring
17	20959	Header Support Leg	38	01265	Bearing 6004-2RS
18	20960	Base Plate	39	16568	Spacer 25X20.6X13
19	11988	Bolt TE M12X100 UNI 5739	40	20899	Sprocket Z 52 ASA 60
20	17736	PTO Shaft V80 3/8 Z6 - 3/8 Z6 L = 2000	41	00378	Bolt M10X20
21	20889	Right Transmission Metal Sheet	42	00952	Washer M10
22	20888	Left Transmission Metal Sheet	43	10717	Snap Ring
23	16101	Supporting Metal Sheet	44	10650	Bearing 61904-2RS
24	00373	Bolt TE M12X035 UNI 5739	45	03049	Chain ASA 60HE 73
25	21595	Green Back Guard	46	03125	Connector Link ASA 60HE
25	21596	Red Back Guard	47	20898	Sprocket Z13 ASA 60
25	20887	Yellow Back Guard	47	16643	Sprocket Z14 ASA 60 Standard
26	21575	Green Knuckle Cover	47	20897	Sprocket Z15 ASA 60
26	21576	Red Knuckle Cover	48	10800	Sprocket Z10 ASA 60
26	20890	Yellow Knuckle Cover	49	13876	Tensioner Arm
			50	15225	Complete Tensioner With Arm



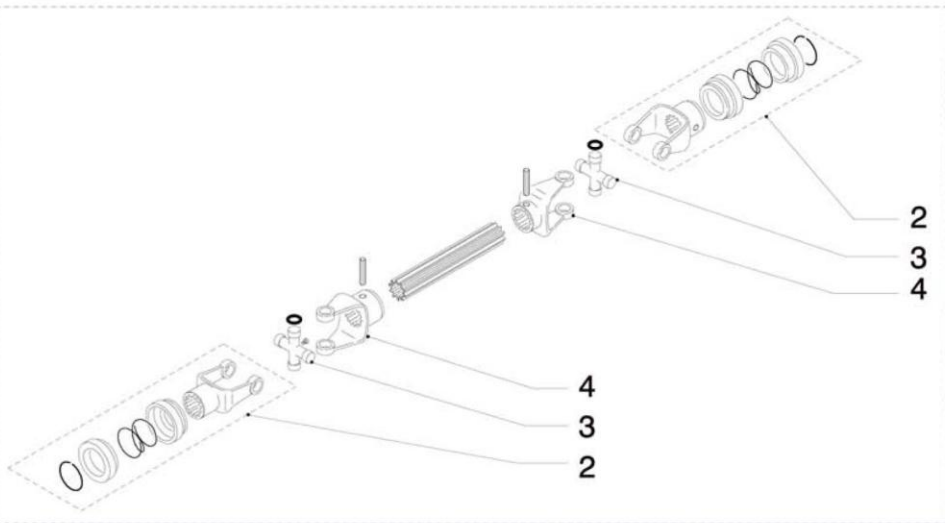
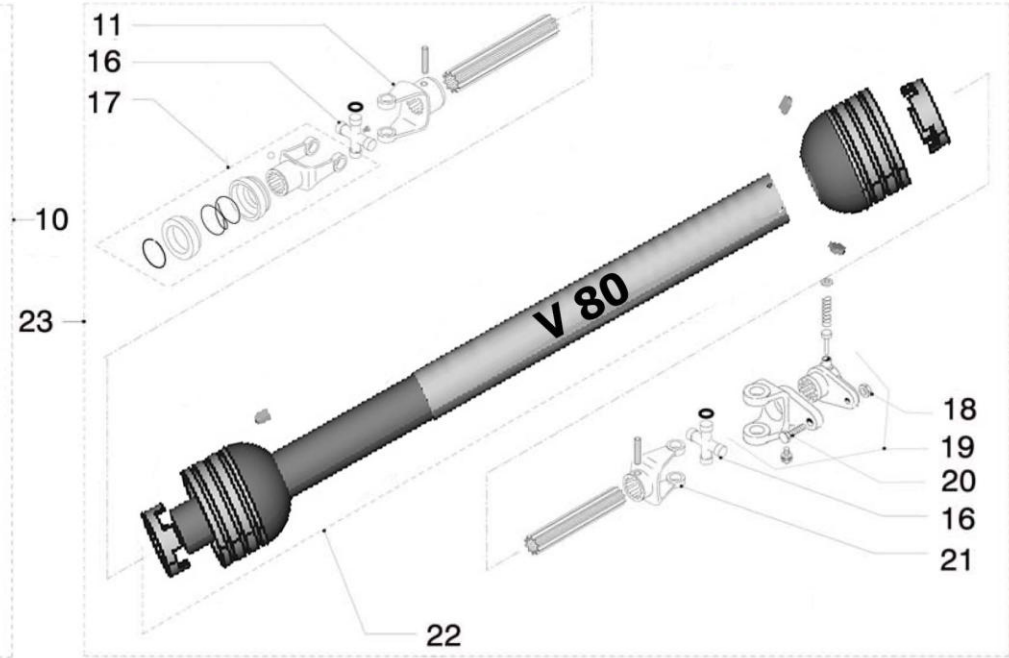
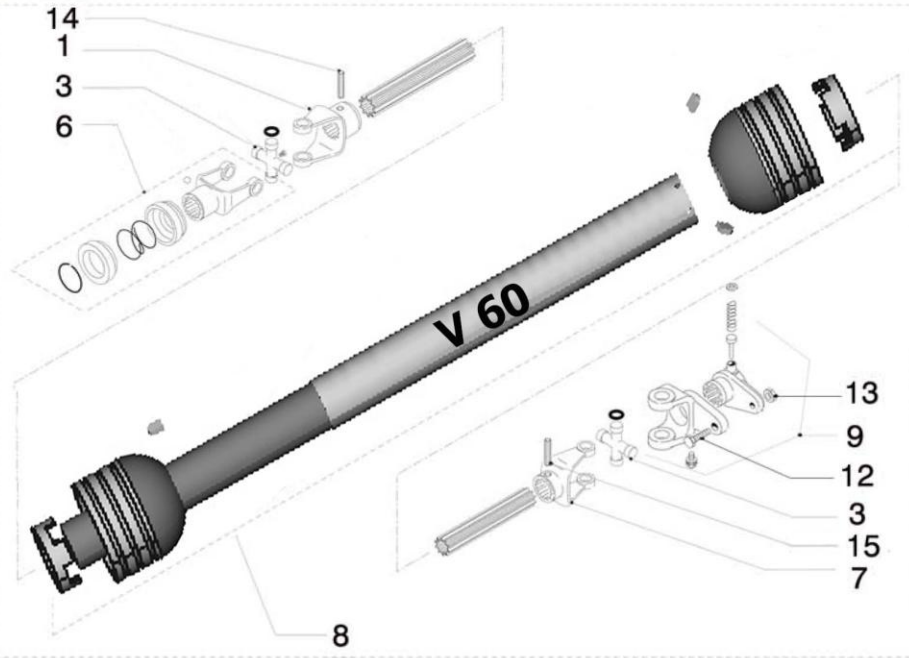
Transmission 6 and 8 Row (E-03)

<u>Pos.</u>	<u>Number</u>	<u>Description</u>	<u>Pos.</u>	<u>Number</u>	<u>Description</u>
1	16410	Support Leg	27	14333	Female 16/24 (On Page D-01)
2	01009	R Clip	27	14332	Female 17/24 (On Page D-01)
3	16415	Pin	28	21525	Green Side Guard
4	16567	Complete Tensioner	28	21526	Red Side Guard
5	14185	Pin	28	20903	Yellow Side Guard
6	16519	Sprocket Z 11 ASA 60	29	21578	Front Left Green
7	09137	Snap Ring	29	21577	Front Right Green
8	01265	Bearing 6004-2RS	29	21580	Front Left Red
9	16568	Spacer 25X20.6X13	29	21579	Front Right Red
10	20899	Sprocket Z 52 ASA 60	29	20905	Front Left Yellow
11	00378	Bolt M10X20	29	20904	Front Right Yellow
12	00952	Washer M10	30	14055	Knuckles L=406
13	10717	Snap Ring	30	14364	Knuckles L=470
14	10650	Bearing 61904-2RS	30	14746	Knuckles L=536
15	03049	Chain ASA 60HE 73	30	14433	Knuckles L=568
16	03125	Connector Link ASA 60HE	30	14432	Knuckles L=591
17	20898	Sprocket Z13 ASA 60	31	21583	Back Left Green
17	16643	Sprocket Z14 ASA 60 Standard	31	21584	Back Right Green
17	20897	Sprocket Z15 ASA 60	31	21586	Back Left Red
18	10800	Sprocket Z10 ASA 60	31	21585	Back Right Red
19	13876	Tensioner Arm	31	15555	Back Left Yellow
20	15225	Complete Tensioner With Arm	31	15553	Back Right Yellow
21	20895	Plate	32	15559	Side Guard Bracket
22	00373	Bolt M12X35	33	00387	Bolt M12X60
23	01064	Washer M12	34	01064	Washer 13X40X3
24	04860	Nut M12	35	00947	Washer M12
25	00211	Bolt M12X20	36	16101	Plate
26	00905	Washer M12	37	11988	M12X100
27	14334	Female 14/30 (On Page D-01)	38	19948	Bracket L=450
27	12613	Female 15/24 (On Page D-01)	38	21607	Bracket L=575
27	13178	Female 15/25 (On Page D-01)	38	22642	Bracket L=735
27	12979	Female 15/29 (On Page D-01)	39	12843	PTO Shield

E 04

DRIVE SHAFTS V60/V80

fantini north america



Drive Shafts V60/V80 (E-04)

<u>Pos.</u>	<u>Number</u>	<u>Description</u>	<u>Pos.</u>	<u>Number</u>	<u>Description</u>
1	14888	Fork	10	14282	PTO Shaft V60 Z6 + Z21 L = 1450
2	13959	Fork V60 1"3/8 Z6 with Ring	10	14801	PTO Shaft V60 Z6 + E 28.5 Hex. L = 1450
3	14745	Cross for PTO Series 60	10	14294	PTO Shaft V60 Z6 + E 27 Hex. L = 1450
4	14895	Fork	10	17557	PTO Shaft V60 Z6 + Z21 L=2000 (Gleaner)
5	14055	Knuckles V60 Z6 + Z6 L = 406	11	19955	Fork
5	14364	Knuckles V60 Z6 + Z6 L = 470	12	00385	Bolt TE M10X060 UNI 5739 08.8
5	14746	Knuckles V60 Z6 + Z6 L = 536	13	04859	Nut M10 UNI 7473
5	14433	Knuckles V60 Z6 + Z6 L = 568	14	00999	Roll Pin 10X80 DIN 1481
5	14432	Knuckles V60 Z6 + Z6 L = 591	15	19960	Roll Pin 10X90 DIN 1481
6	13960	Fork Type V60 Z21 with Ring	16	17737	Cross for PTO Series 80
6	13959	Fork Type V60 Z6 with Ring	17	17738	Fork 80 1" 3/8 Z06
6	13962	Fork V60 ESA. 27 Hex.	17	17739	Fork 80 1"3/8 Z21
6	13961	Fork V60 ESA. 28.5 Hex.	17	18020	Fork V80 1/8 E28.5 Hex.
7	14889	Fork	18	04861	Nut M12
8	16227	PTO Plastic Cover Complete V60 L = 1770	19	19959	V80 1"3/8 Z06
9	14893	V60 1"3/8 Z06	20	05971	Bolt TE M12X065 UNI 5738 08.8
10	14052	PTO Shaft V60 Z6 + Z6 L = 924	21	19956	Fork 12 UNI 7473 A 1.25
10	14053	PTO Shaft V60 Z6 + Z21 L = 924	22	19958	V80 Safety Cover Complete
10	14054	PTO Shaft V60 Z6 + E 28.5 Hex. L = 924	23	17736	PTO Shaft Complete V80 Z6 - Z6 L=2000
10	14803	PTO Shaft V60 Z6 + Z6 L = 1450	23	18027	PTO Shaft Complete V80 Z6 - Z21 L = 2000

F 01

SIDE AUGERS

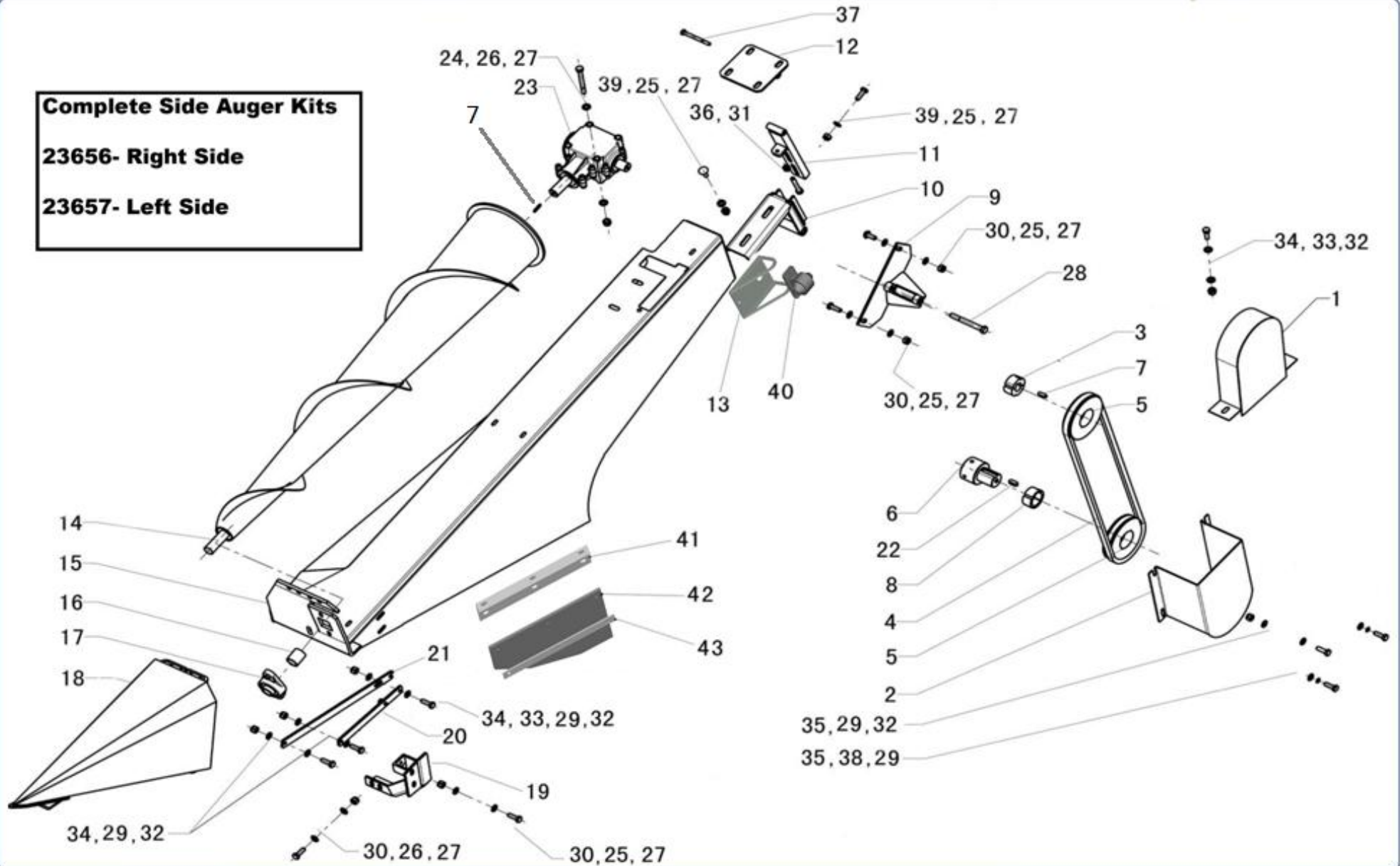
fantini north america



Complete Side Auger Kits

23656- Right Side

23657- Left Side



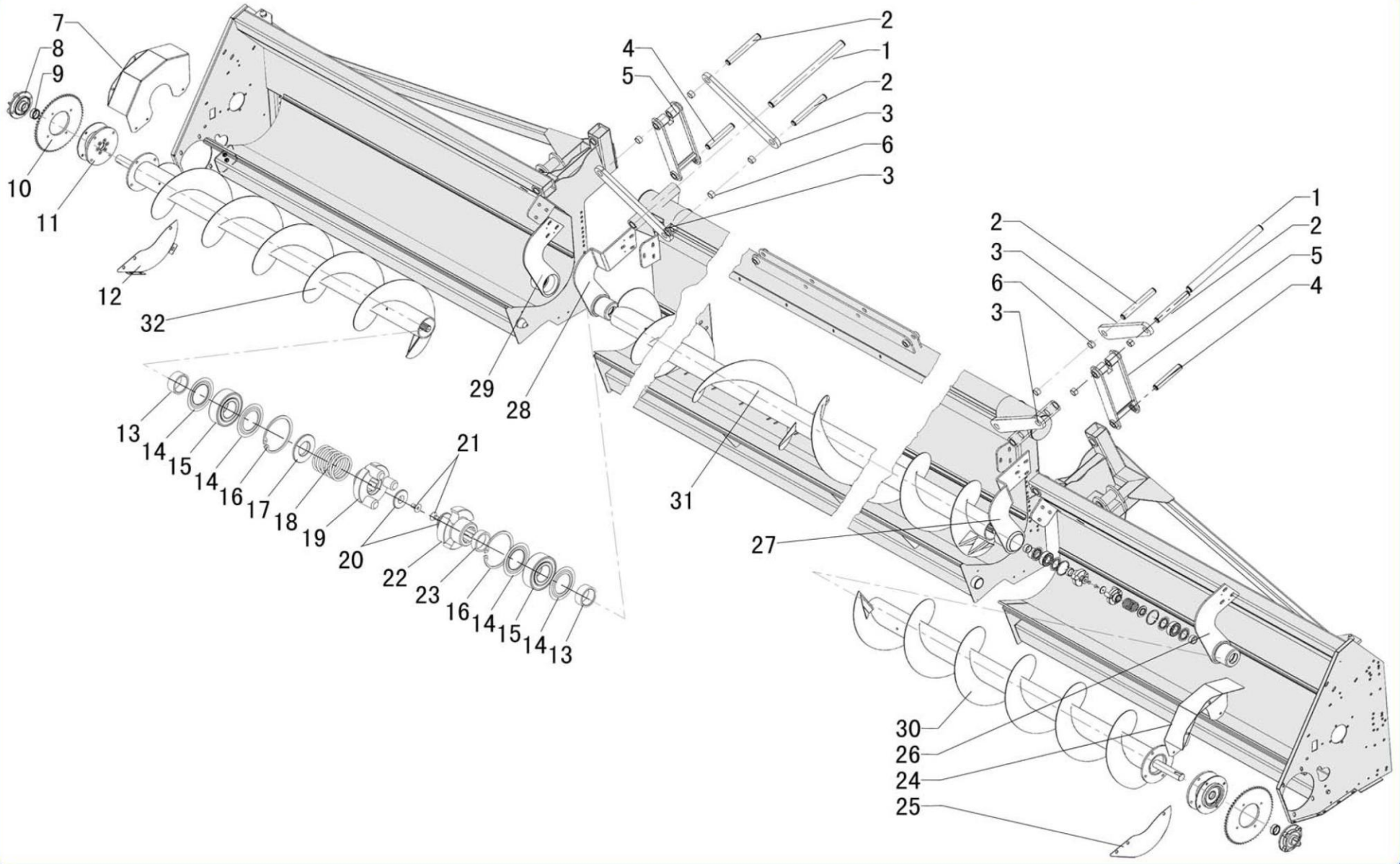
Side Augers (F-01)

<u>Pos.</u>	<u>Number</u>	<u>Description</u>	<u>Pos.</u>	<u>Number</u>	<u>Description</u>
1	20961	Top Belt Guard Green	18	21188	Right Lateral Tip Green
1	21170	Top Belt Guard Red	18	21186	Right Lateral Tip Red
1	16996	Top Belt Guard Yellow	18	10798	Right Lateral Tip Yellow
2	21171	Bottom Belt Guard Green	19	21166	Right Side Mounting Bracket
2	21172	Bottom Belt Guard Red	19	21167	Left Side Mounting Bracket
2	20265	Bottom Belt Guard Yellow	20	10968	Short Hinge Arm
3	11012	Taper Bushing Ø25	21	13470	Long Hinge Arm
4	10939	Belt	22	14448	Key Way 10X8X25 UNI 6604-69B
5	11011	Pulley	23	07325	Gear Box L25A
6	21169	Shaft Extension	24	00444	Bolt M10X120
7	00610	Key Way 8X7X25 UNI 6604 - 69B	25	20533	Washer 10X20X03 UNI 6593
8	11013	Taper Bushing Ø40	26	00945	Washer M10 UNI 6593
9	21173	Side Hinge	27	04859	Nut M10 UNI 7473 A
10	21174	Side Lever	28	11988	Bolt TE M12X100 UNI 5739
11	21175	Box Support Arm	29	00946	Washer M8
12	21177	Box Support Plate Left	30	00384	Bolt M10x030 UNI 5739
12	21176	Box Support Plate Right	31	00476	Nut M10 UNI 5588 M
13	18423	Light Bracket	32	04858	Nut M8 UNI 7473
14	14309	Left Lateral Taper Feed Auger	33	05127	Washer 8X24X02 UNI 6593
14	14308	Right Lateral Taper Feed Auger	34	00377	Bolt TE M8X025 UNI 5739
15	21183	Left Side Green	35	00383	Bolt TE M8X020 UNI 5739
15	21185	Left Side Red	36	00413	Bolt M10X070 UNI 5739
15	20195	Left Side Yellow	37	00364	Bolt TE M08X080 UNI 5737
15	21182	Right Side Green	38	00916	Washer R.D.E M08 UNI 8842
15	21184	Right Side Red	39	00545	Coach Bolt TT M10X030 UNI 5732
15	20194	Right Side Yellow	40	18017	Light Assembly
16	15359	Spacer	41	21282	Bracket For Rubber Flap
17	01408	Flanged Bearing UCFL 205	42	19398	Rubber Flap
18	21189	Left Lateral Tip Green	43	20138	Brace
18	21187	Left Lateral Tip Red		23656	Right Side Auger Kit
18	10799	Left Lateral Tip Yellow		23657	Left Side Auger Kit

H 01

FOLDABLE 12 ROW AUGER WITH CLUTCH

fantini north america



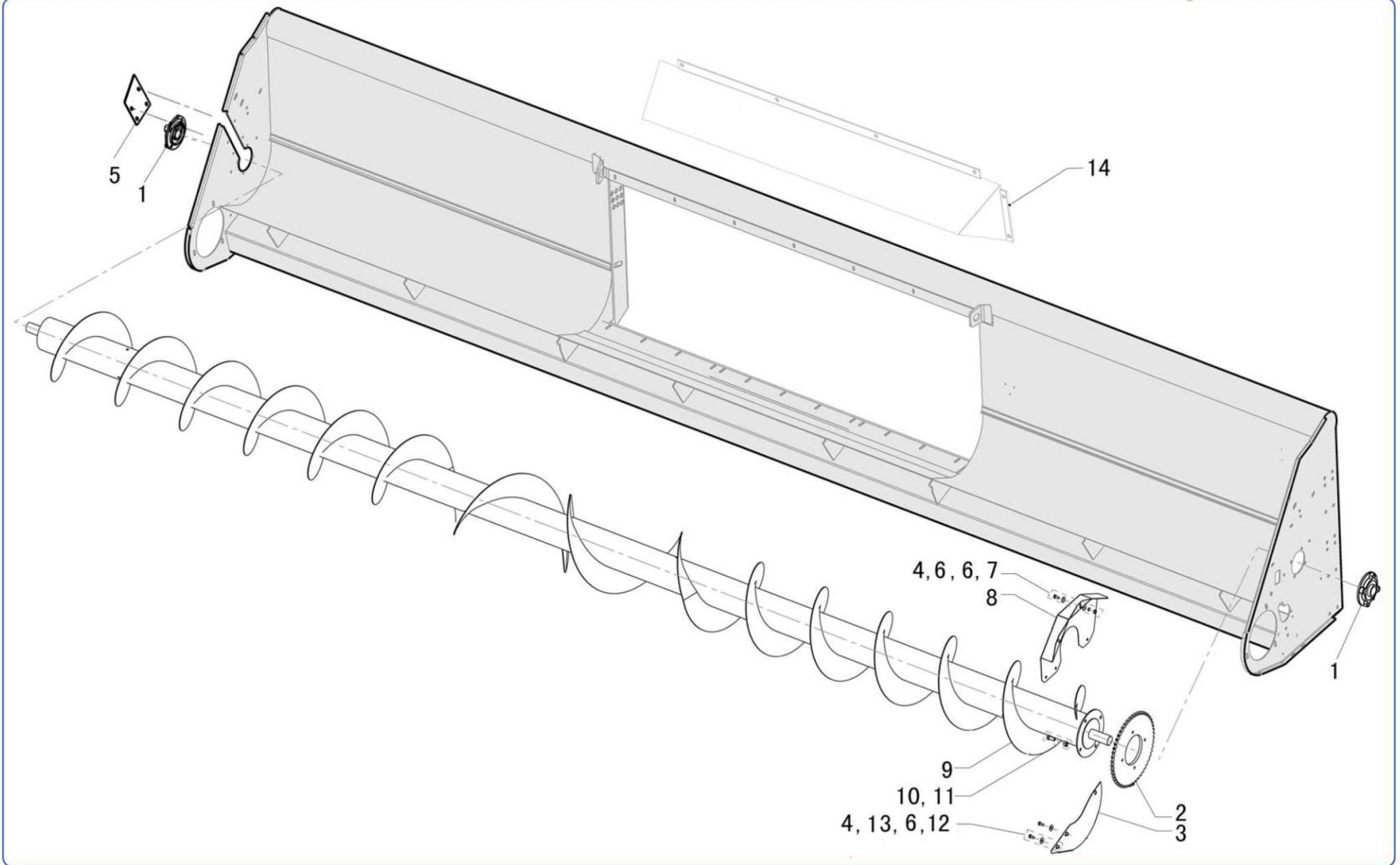
Foldable 12 Row Auger with Clutch (H-01)

<u>Pos.</u>	<u>Number</u>	<u>Description</u>	<u>Pos.</u>	<u>Number</u>	<u>Description</u>
1	19069	Pin	17	05219	Spacer 60X35-7.5
2	12519	D.30 Short Pin	18	03451	Folding Spring
3	21217	Arm	19	21207	Male Coupling
4	19070	Pin	20	08508	Coupling Beveled Washer
5	21219	Arm Weldement	21	09199	Bolt TS M08X016 UNI 5933
6	07602	Bushing PAP 30X34X20P10	22	21208	Female Coupling
7	20107	Right Top Chain Guard	23	12678	Spacer
8	13788	Support Bearing UCFC 208	24	15333	Left Top Chain Guard
9	12822	Spacer	25	14127	Left Bottom Chain Guard
10	20899	Sprocket Z52	26	13896	Foldable Auger Left Support
11	19957	Feed Auger Clutch 90dNm	27	13897	Fixed Auger Left Support
12	21193	Right Bottom Chain Guard	28	13898	Fixed Auger Right Support
13	08510	Spacer	29	13895	Foldable Auger Right Support
14	01330	Nylon Seal 2207 JV	30	21224	L 12X76
15	01287	Bearing 2207-2RS	31	21229	C 12X76
16	00583	Snap Ring UNI 7473-75 INT.75	32	21223	R 12X76

H 02

FIX FEED AUGER LO3

fantini *north america*

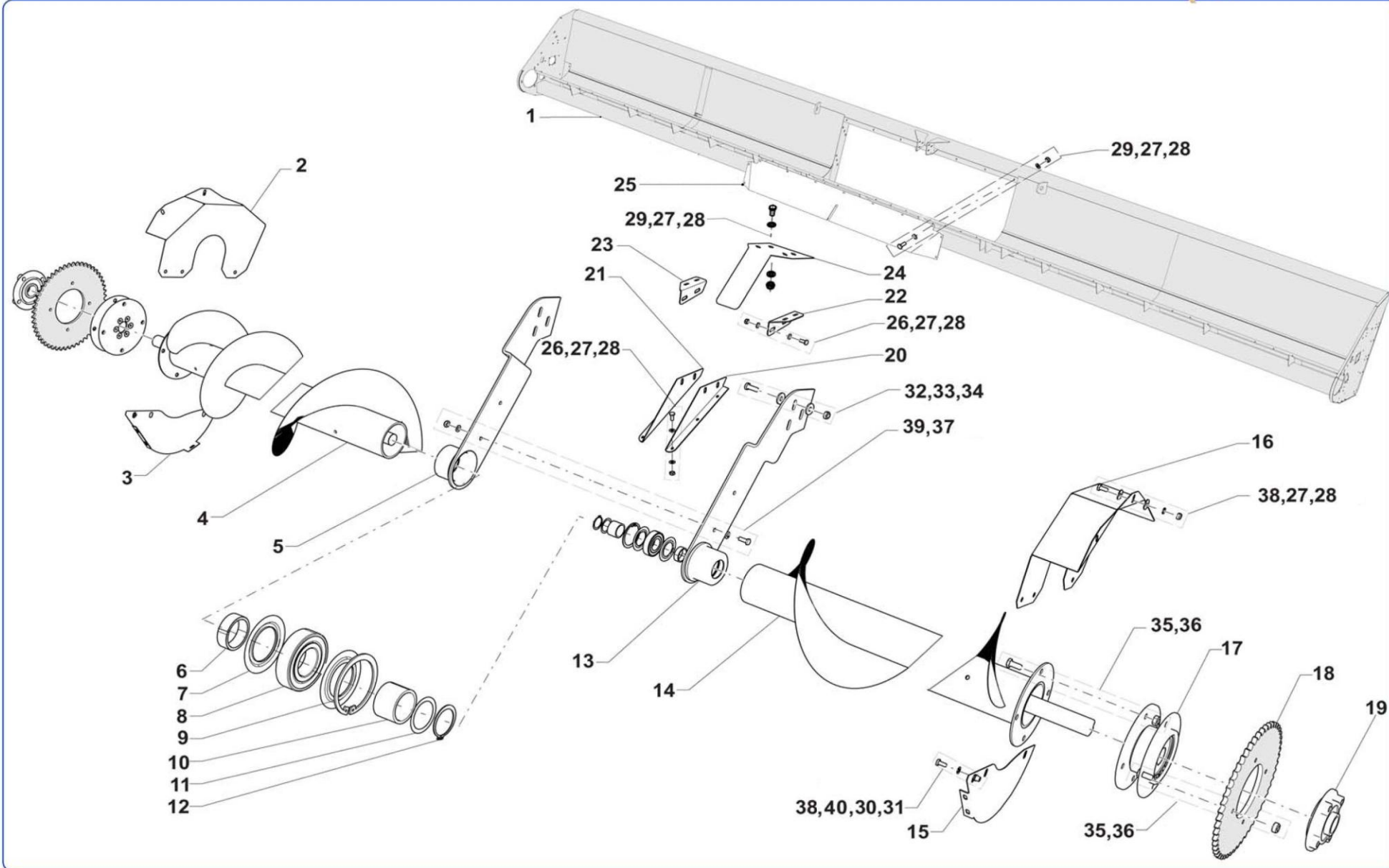


Fixed Feed Auger LO3 (H-02)

<u>Pos.</u>	<u>Number</u>	<u>Description</u>
1	13788	Support Bearing UCFC 208
2	20899	Z52 ASA60 Ring Gear
3	14127	Bottom Left Chain Guard
4	00574	Bolt TC M08X020 UNI 5931
5	12639	Auger Retaining Plate
6	00946	Washer M8 UNI 6592
7	04858	Self-locking Hex Nut M8 UNI 7473 A
8	14126	Upper Left Chain Guard
9	21034	Auger 6 row 30 in.
9	18732	Auger 8 row 30 in.
10	00371	Bolt M12X030 UNI 5739
11	04860	Self-Locking Hex Nut M12 Uni 7473
12	10950	Insert FTT M08 SP. 08.5-3.5 UNI 9201
13	00916	Lock Washer R.D.E M08 UNI 8842
14	12567	Center Shield Yellow
14	21535	Center Shield Green
14	21534	Center Shield Red

H 03 FIX FEED AUGER LO3 12 ROW

fantini *north america*



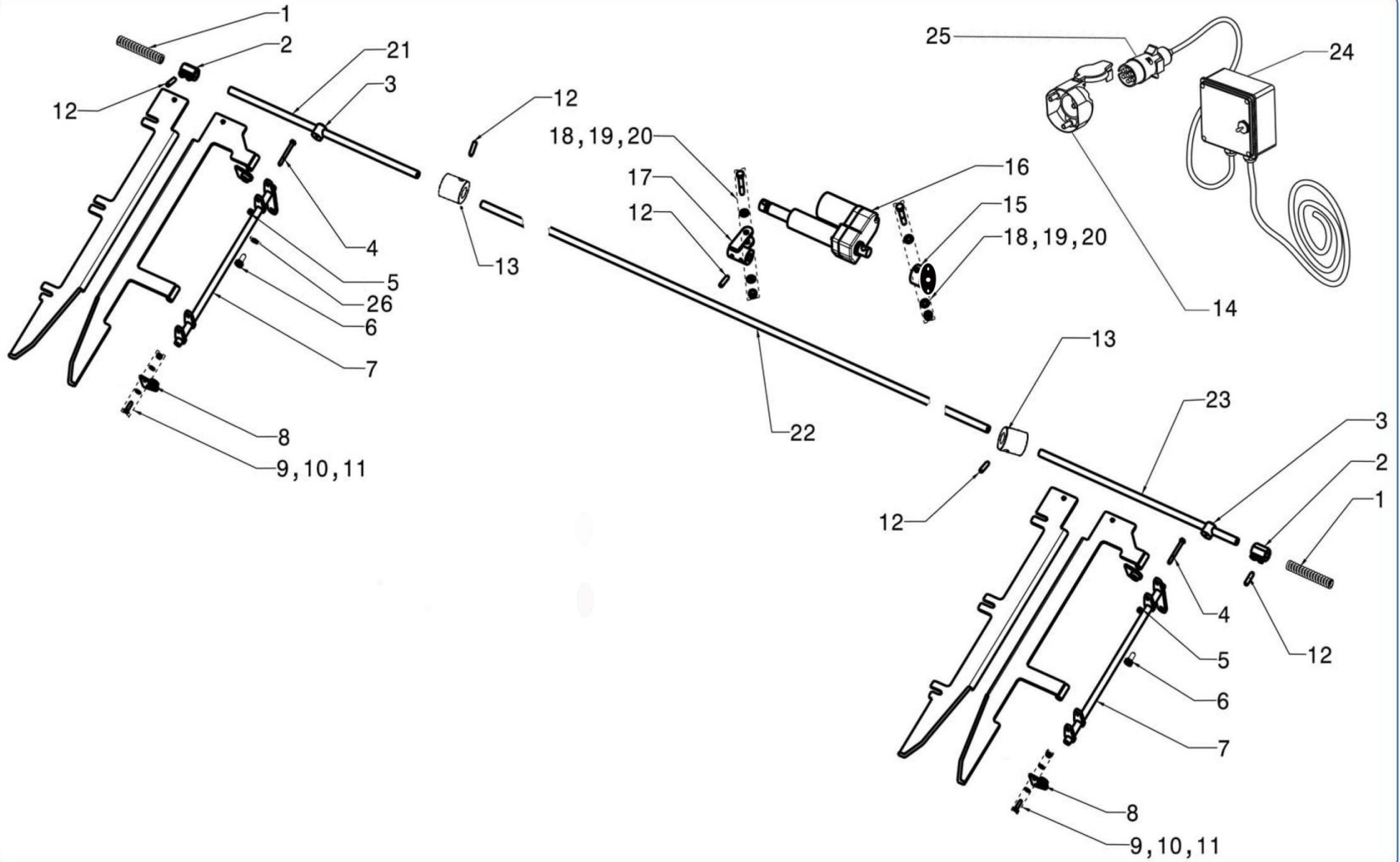
Fixed Feed Auger LO3 12 Row (H-03)

<u>Pos.</u>	<u>Number</u>	<u>Description</u>	<u>Pos.</u>	<u>Number</u>	<u>Description</u>
1	20915	Frame 12 row 22in.	20	18050	Left Lower Support
1	20917	Frame 12 row 30in.	21	18048	Right Lower Support
2	20107	Top Right Chain Guard	22	21199	Left Upper Support
3	21193	Bottom Right Chain Guard	23	21198	Right Upper Support
4	18563	Right 12X56 L = 3209	24	21200	Auger Support Guard
4	18460	Right 12X76 L = 4309	25	12567	Yellow Shield
4	19648	Right 16X75 L = 5829	25	21535	Green Shield
5	21196	Right Auger Support	25	21534	Red Shield
6	08510	Spacer	26	00379	Bolt M08X030 UNI 5739
7	01330	Nylon Washer 6207 JV	27	05127	Washer 08X24X02 UNI 6593
8	01287	Bearing 2207 - 2RS	28	04858	Nut M8 UNI 7473 A
9	19479	Snap Ring D.72 H=3 UNI 7438	29	00377	Bolt M08X025 UNI 5739
10	19542	Spacer 42X35-36	30	00946	Washer M8 UNI 6592
11	01038	Washer 35.0x45.0x0.25	31	10950	Insert FTT M08 SP.0,8-3,5 UNI 9201
12	00604	Snap Ring UNI 7435-75 EST. 40	32	00450	Bolt M12X040 UNI 5737
13	21197	Left Auger Support	33	09361	Washer 33X23.0X5
14	18562	Left 12X56 L = 3209	34	00479	Nut M12 UNI 5587 A
14	18462	Left 12X76 L = 4309	35	00371	Bolt M12X30 UNI 5739
14	19649	Left 16X75 L = 5829	36	04860	Nut M12 UNI 7473 A
15	14127	Bottom Left Chain Guard	37	04859	Nut M10 UNI 7473 A
16	15333	Top Left Chain Guard	38	00383	Bolt TC M08X020 UNI 5931
17	19957	Clutch 90 d Nm	39	00447	Bolt M10X35 UNI 5739 10.9
18	20899	Gear Z52 ASA60	40	00916	Lock Washer R.D.E. M8 UNI 8842
19	13788	Support Bearing UCFL 208			

I 01

ELECTRIC DECK PLATE

fantini north america



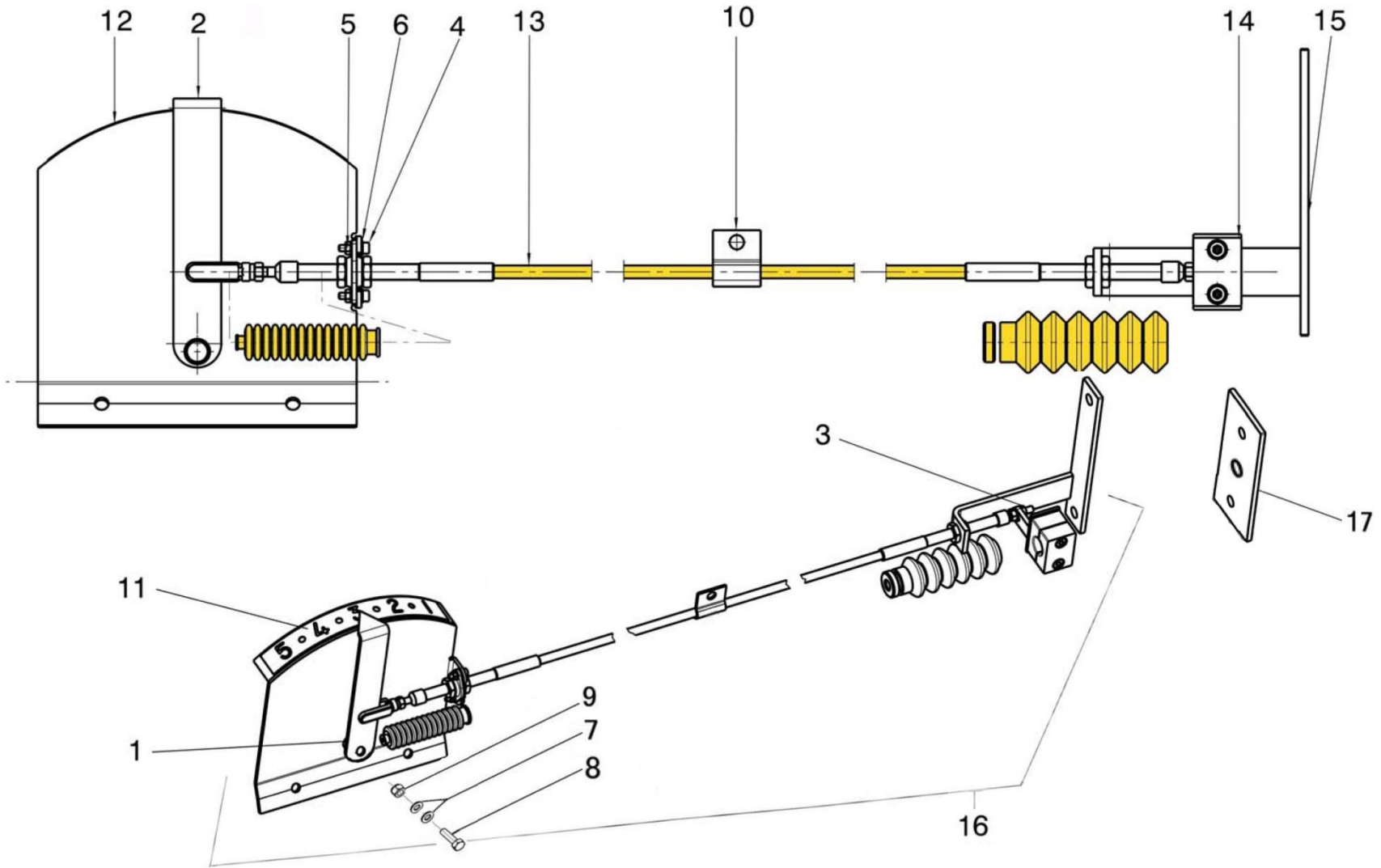
Electric Deck Plate (I-01)

<u>Pos.</u>	<u>Number</u>	<u>Description</u>
1	21231	Spring
2	21119	Deck Plate Coupler
3	20129	Sleeve For Adjusting Bar
4	12113	Bolt M08X070 UNI 5737 8.8
5	04858	Nut M8 UNI 7473 A
6	19157	Bolt M12
7	20761	Deck Plate Adjustment Arm
8	20762	Mounting Bracket
9	00377	Bolt M8X25 UNI 5739
10	00946	Washer M8 UNI 6592
11	04858	Nut M8 UNI 7473 A
12	00988	Grub Bolt M10X40 UNI 5927
13	20104	Folding Push Collar
14	04609	Female Plug
15	20130	Mounting Flange
16	21742	Linear Actuator
17	21124	Actuator Leaver
18	06004	Bolt M12X65 UNI 5737
19	01064	Washer 13.0X40.0X3.0
20	04860	Nut M12 UNI 7473 A
21	21104	Right Bar 12X76
22	21106	Central Bar 12X76
22	21096	Central Bar 6 ROW
22	21099	Central Bar 8 ROW
23	21108	Left Bar 12X76
24	16972	Control Box
25	04608	Male Plug
26	00947	Washer M12

I 02

DECK PLATE INDICATOR

fantini *north america*



Deck Plate Indicator (I-02)

<u>Pos.</u>	<u>Number</u>	<u>Description</u>
1	21232	Spacer 18x8-13.5
2	21234	Indicator Arm
3	04857	Nut M6 UNI 7473 A
4	20213	Bolt TC M4X15 UNI 6107
5	20214	Nut M4 UNI 5587 A
6	20215	Washer M4 UNI 6592
7	05127	Washer M8
8	17380	Bolt TE M8X35 UNI 5737
9	04858	Nut M8 UNI
10	20177	Cable Holder
11	20212	Sticker
12	21236	Indicator Plate
13	20167	Cable for Indicator LH3
14	20173	Bar Clamp
15	21237	Mounting Bracket
16	20210	Indicator for Electric Blades Compete
17	23899	Bracket Plate

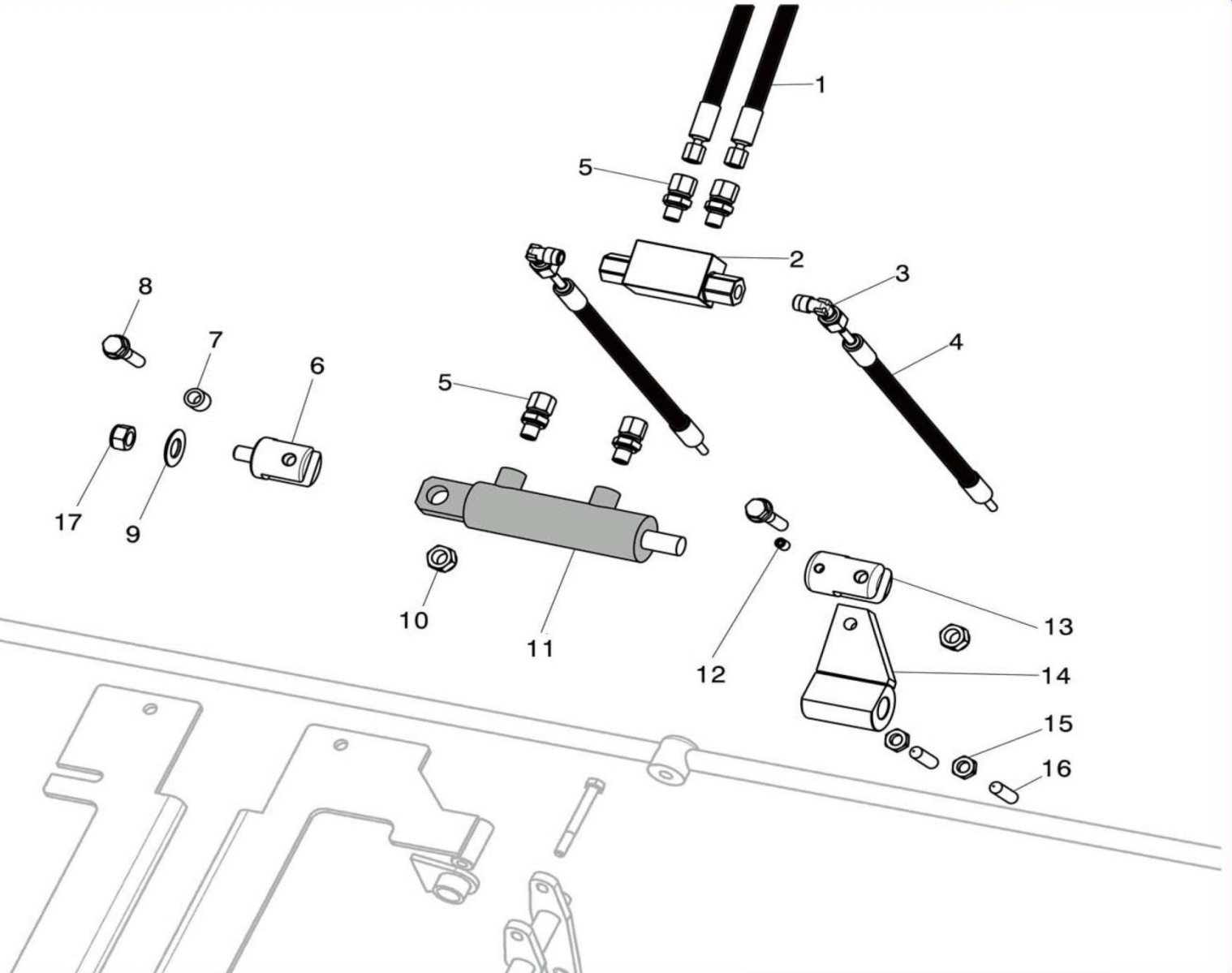
03

HYDRAULIC BLADES

fantini north america



22 INCH SPACING



Hydraulic Blades (I-03)

<u>Pos.</u>	<u>Number</u>	<u>Description</u>
1	20307	Hose
2	17497	Block
3	08905	Right Angle Fitting 1/4 G + T06
4	19622	Hose
5	05456	Actuator Fitting 1/4 G + T06
6	25287	Actuator Mount
7	20587	Spacer 10.5x16x14
8	20592	Bolt M10X50 IVE 0119 10.9
9	01064	Washer 13X40X3
10	04859	Nut M10
11	18380	Actuator
12	19449	Set Screw M8X12 UNI 5929
13	23231	Actuator Adjusting Connector
14	24679	Bar Clamp for Actuator
15	00476	Non Locking Nut M10
16	00988	Set Screw M10X40 UNI 5927
17	04860	Nut M12

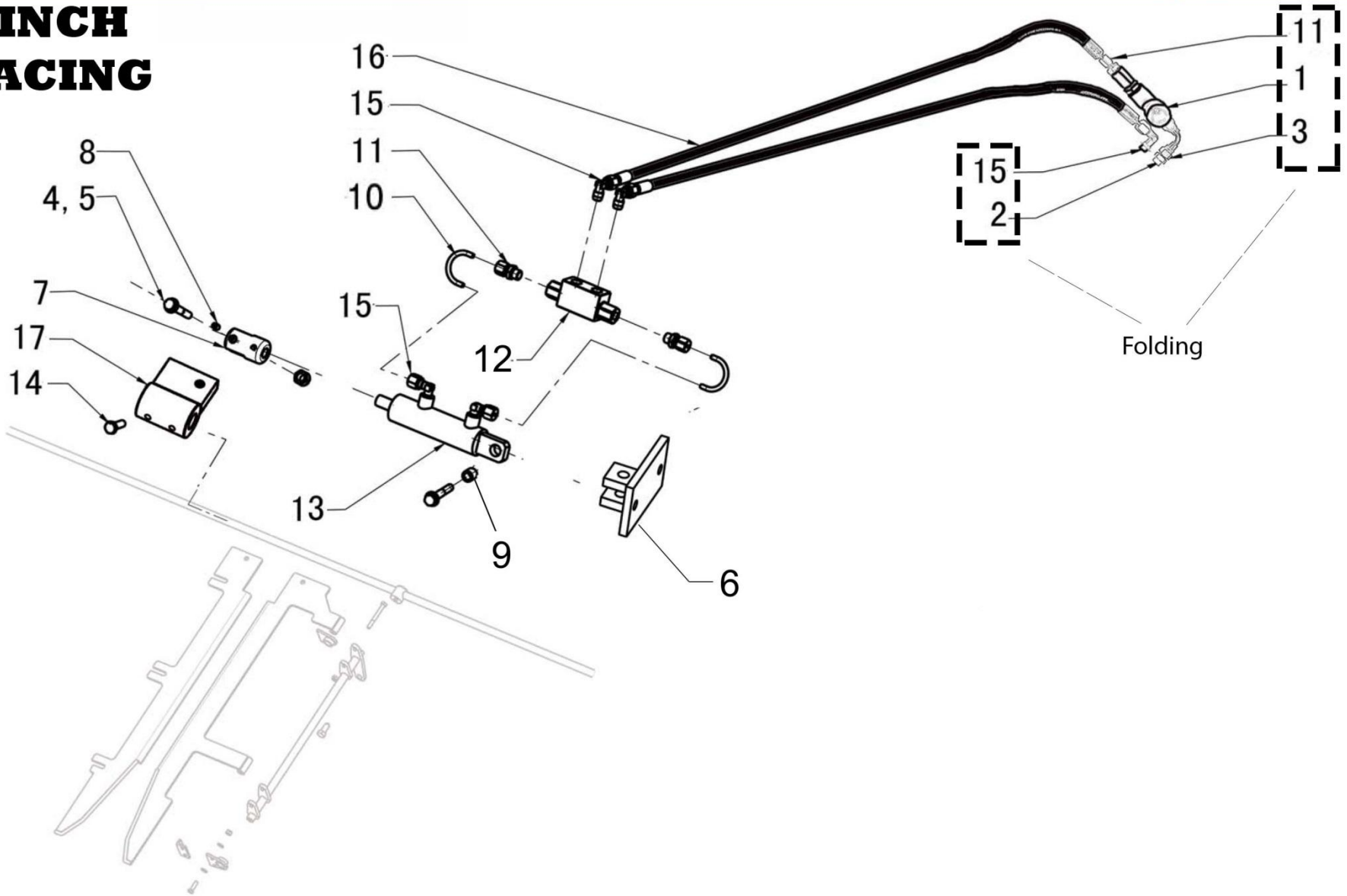
I 04

HYDRAULIC BLADES

fantini north america



30 INCH SPACING



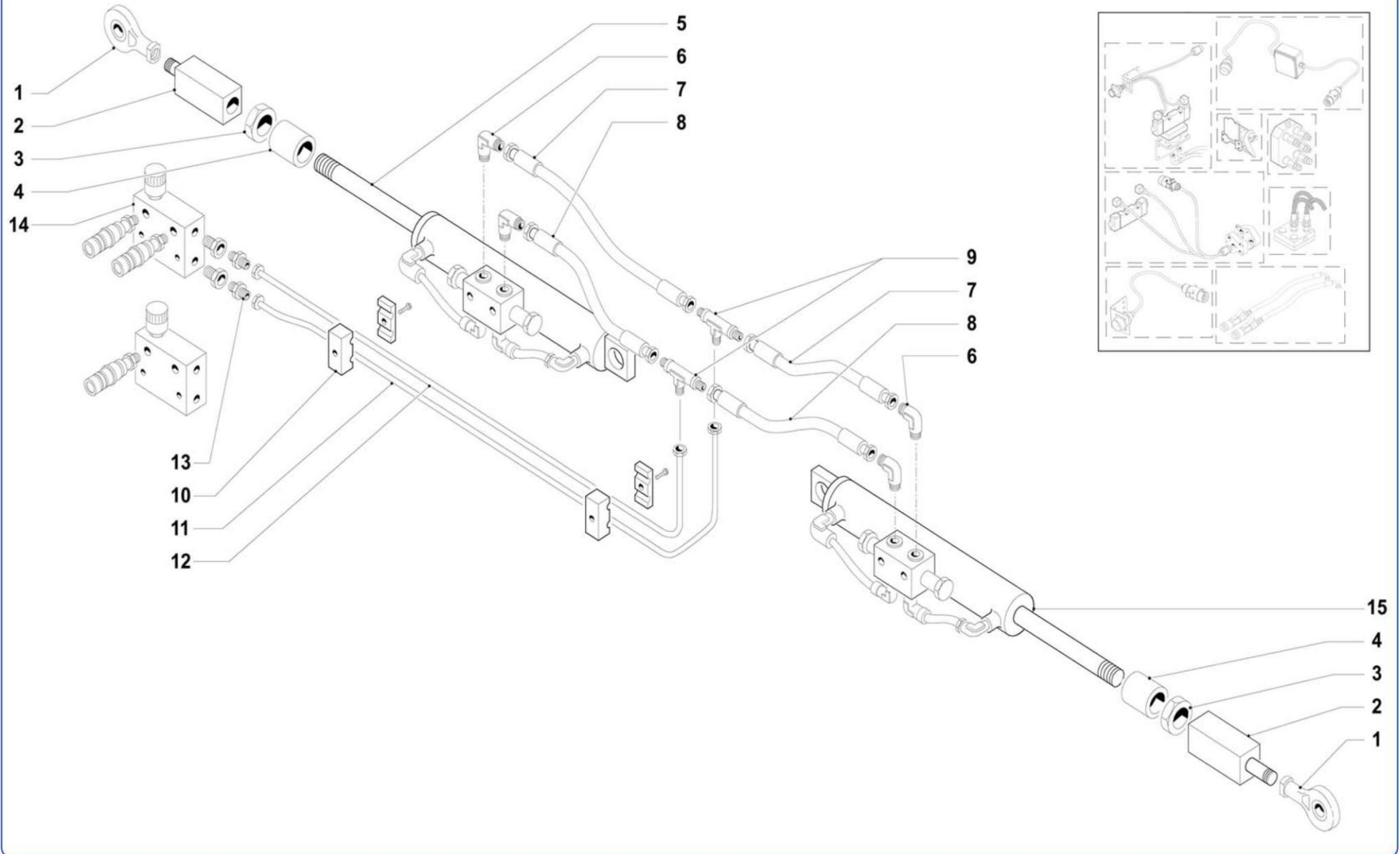
Hydraulic Blades (I-04)

<u>Pos.</u>	<u>Number</u>	<u>Description</u>
1	23127	Large Fitting
2	01919	Connector
3	05455	Right Angle Connector
4	20592	Bolt TE M10X50 IVE 0119 10.9
5	04859	Nut M10
6	22992	Mounting Bracket
7	23231	Actuator Adjusting Connector
8	19449	Set Screw M8X12 UNI 5929 45H
9	20587	Spacer 10.5x16x14
10	20590	"U" Shaped Tube Connector
11	05456	Fitting 1/4 G + T06
12	17497	Block
13	18380	Actuator
14	00384	Bolt TE M10X30 UNI 5739
15	08905	Right Angle Connector 1/4 G + T06
16	20307	Hose
17	22490	Bar Clamp Lever

P 01

SYSTEM HYDRAULIC

fantini *north america*



System Hydraulics (P-01)

<u>Pos.</u>	<u>Number</u>	<u>Description</u>
1	07713	Articulation Left KJL30 M30X2
1	12750	Articulation Right KJL30 M20X2
2	09086	Cylinder Extension
3	08651	Nut M30 UNI 5589 B
4	21242	Spacer, 6 Row
4	21243	Spacer, 8 Row
5	21245	Left Cylinder 12 Row
5	08339	Left Cylinder 6 Row
5	09941	Left Cylinder 8
6	09301	Union Elbow 3/8G+T10
7	11101	Hydraulic Line T10+F3/8
8	11100	Hydraulic Line T10+F3/8
9	01932	Fitting T10+T10+T10
10	02927	Support T10+T10
11	11131	Pipe Ø10 L = 1125
12	11132	Pipe Ø10 L = 1100
13	01925	Fitting 1/4G+T10
14	09231	Block
15	21244	Right Cylinder 12 Row
15	08336	Right Cylinder 6 Row
15	09940	Right Cylinder 8 Row

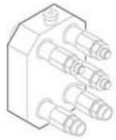
P 02

KIT ELECTRIC - HYDRAULIC

fantini north america



J.D.

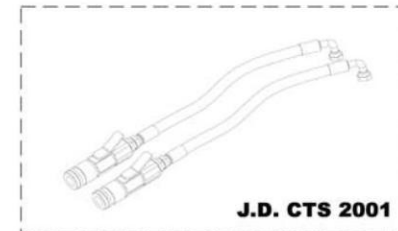


1

J.D. WTS



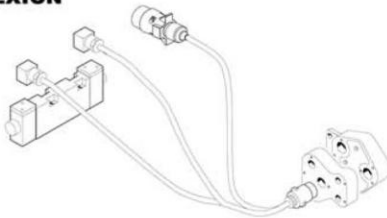
2



3

J.D. CTS 2001

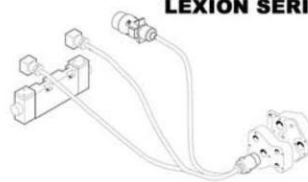
LEXION



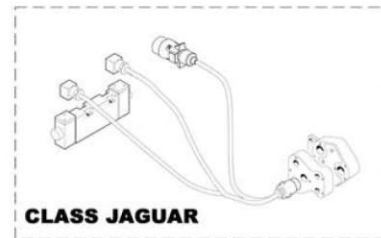
4

5

LEXION SERIE 5



6

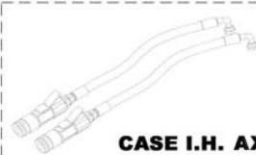


7

CLASS JAGUAR

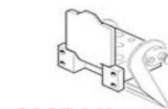
- N.H. CX + CTS 2001
- CASE I.H.

8



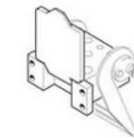
CASE I.H. AXIAL

9



CASE I.H.
SERIE 8000-9000

10



N. HOLLAND CX-TX

11



N.H. TX
(OLD VERSION)

12

Kit Electric / Hydraulic (P-02)

<u>Pos.</u>	<u>Number</u>	<u>Description</u>
1	15557	KIT HYDRAULIC J.D. 9000
2	16421	KIT HYDRAULIC J.D. WTS
3	11481	J.D. CTS Complete Joint
4	16619	Kit Electric LEXION
5	08942	KIT HYDRAULIC LEXION
6	17265	Kit Hydraulic Lexion 5
7	17648	Kit Hydraulic Class Jaguar
8	16618	CNH Single Point Coupler - Electric
9	10215	Kit Hydraulic Case IH 1000-2000
10	17945	Kit Hydraulic Case IH 8000-9000
11	15462	KIT HYDRAULIC N.H. CX-CR
12	18655	Kit NH TX Old Version